

GYNECOLOGICAL LINE

ORIGINAL INSTRUCTIONS - REV. 4 / 2023



GYNO



GYNO PLUS



HYDROGYNO



INSTRUCTION FOR USE pag. 3

ISTRUZIONI PER L'USO pag. 19

NOTICE D'UTILISATION pag. 35

BEDIENUNGSANLEITUNG seite. 51

EN

Congratulation for having chosen an equipment LEMI produced by Brusaferrri & C.

This chair has been designed and built using state of the art technologies and processes to guarantee the best reliability in the time and ensure maximum safety.

For a correct and safe operation of the chair is essential to carefully read and observe what is indicated in this manual. All documentation accompanying the chair – and in particular this manual – must be carefully preserved for future reference.

IT

Complimenti per aver scelto un'attrezzatura LEMI prodotta da Brusaferrri & C.

Questo lettino è stato progettato e costruito utilizzando tecnologie e procedimenti allo stato dell'arte per garantirne la migliore affidabilità nel tempo ed assicurarne la massima sicurezza.

Per un corretto e sicuro funzionamento della poltrona è indispensabile leggere attentamente ed osservare quanto indicato nel presente manuale. Tutta la documentazione di corredo della poltrona - ed in particolar modo il presente manuale - deve essere accuratamente conservata per riferimenti futuri.

FR

Félicitations d'avoir choisi un équipement fabriqué par Brusaferrri & C.

Cette chaise a été conçue et construite en utilisant des technologies et des procédés de qualité élevée afin de garantir la plus grande fiabilité à long terme et d'assurer la plus grande sécurité.

Pour un bon fonctionnement du chaise il est indispensable de lire attentivement et de respecter les indications fournies par la présente notice. Toute la documentation fournie avec la chaise doit être soigneusement conservée pour utilisation ultérieure.

DE

Herzlichen Glückwunsch für eine Ausrüstung LEMI erzeugten von Brusaferrri & C. gewählt zu haben.

Für einen korrekten und sicheren Betrieb der Liege ist es wichtig, was in diesem Handbuch angegeben sorgfältig zu lesen und beachten. Die ganze Unterlagen geliefert mit der Liege – und insbesondere dieses Handbuch – es muss sorgfältig für die Zukunft erhalten bleiben.

1.	INTRODUCTION	pag. 4
2.	TRANSPORT AND INSTALLATION	pag. 5
3.	ENVIRONMENTAL WORKING CONDITIONS AND STORAGE	pag. 7
4.	PRELIMINARY CHECKS	pag. 7
5.	DESCRIPTION OF THE CHAIR	pag. 8
6.	OPTIONS ON DEMAND	pag. 9
7.	INSTRUCTION FOR USE	pag. 12
8.	USE OF THE CHAIR	pag. 15
9.	MAINTENANCE	pag. 15
10.	IN CASE OF AN ACCIDENT	pag. 16
11.	SPARE PARTS	pag. 17
12.	DISMANTLE	pag. 17
13.	DISPOSAL OF OBSOLETE EQUIPMENT	pag. 17
14.	LABEL LEGEND	pag. 67
	DIMENSIONS	pag. 18

Symbols meaning



Non-compliance of this procedure could cause damages to the chair or its parts.



Non-compliance of this procedure could cause health damages or injury to the operator or people near the chair

1. INTRODUCTION



The successful and safe operation of the chair is guaranteed only if it is used in accordance with the specifications in this manual and, in general, in the accompanying documentation; therefore it is essential to carefully read and keep all the relative documentation. Although the chair is equipped with active and passive safety features, not all risks can be avoided due to its incorrect use. You must always make sure that all users have fully understood the rules of use; the manufacturer declines any responsibility for damage to persons or property resulting from improper use of the device. Do

not remove or damage the labels, notices and warnings placed on side of the chair. In case you need to restore them, please contact the manufacturer. The manufacturer Brusaferrri & C., declines any and every responsibility for failure to observe the rules of safety and prevention described in the various sections of this manual and for any damage caused by improper use. All interventions on the chair (maintenance, adjustments, repairs, cleaning) must be carried out by suitably trained personnel and in accordance with what is indicated in this manual.

1.1. Destination of use and lifetime

The chairs GYNO - HYDROGYNO - GYNO PLUS are suitable for diagnostics, gynecological, urological ultrasound and colposcopic examinations. **The estimated lifetime for this chair is 10 years.**



WARNING! It is forbidden any use of the chair other than that described in this manual. Brusaferrri & C. declines any responsibility for malfunctions or damages to persons or property due to uses other than those specified in this manual.



The chair should be used only by personnel who are informed about the use mode, operation and its safety equipment.

1.2. Preservation of the manual

This operating manual should be kept for future reference. We recommend:



Keep the manual in a place accessible and known to all operators, protected from moisture and heat and protected from the direct sun beams. Use the manual in order not to damage any part of the content: do not remove, tear or modify any part of the manual.

In the case of sale or transfer of the chair to another person, this manual and its annexes should be delivered intact to the new users.



WARNING! Please read this operation manual before using the chair. Anyone who uses the chair should be properly informed on the parts of this manual relevant to the operations to be performed.

1.3. Labelling of the chair

The chair is provided with labels with the following data, in conformity with actual rules (see § 14. Label Legend)



WARNING! It is recommended not to remove the labels on the machine; labels must be preserved well fixed, whole and easy to read.



WARNING! The data present on each label, must be reported in case of need of assistance or spare parts.

1.4. Warning messages

The chair is provided with signs showing phrases or symbols; pay attention to the warnings on the equipment.

The symbol that warns against the risk of electrocution is located next to the plug of the electric supply.

The yellow label warning "DON'T PUT YOUR FOOT ON – DON'T PUT OBJECTS ON" is located next to moving parts: it warns against putting any object or limb in the chair movement area in order to avoid crushing damages.

2. TRANSPORT AND INSTALLATION

2.1. Handling and removal from the packaging

The chaise can be raised and moved manually by two or four people, taking it exclusively from the 4 support feet.



The weight of the chair is equal to 67 kg.

The chair is shipped packed in a carton box. Open the box so you can freely raise the chair; remove it from the packaging, taking it from the base and pull it upwards.



ATTENTION!

- Handling and moving operations have to be done by qualified and instructed personnel.
- It is strictly forbidden to remove the chair by lifting it from the top (mattress).
- Do not use knives or box cutters to open the box so as not to risk damaging the chair and in particular the padding.
- Before using the chair, clean it entirely according to the procedure shown at § 9.4. Cleaning

2.2. Flooring

The floor on which the chair will be placed must be solid, smooth, horizontal and adequate to support its weight and ensure the stability.

2.3. Lighting

The user must ensure that the lighting of the work areas is sufficient to allow a good view of the operations and all elements of the chair; the level of lighting should be in accordance with the UNI EN 12464-1; in particular should be avoided shadows and annoying glare.

2.4. Positioning

The position of the chair compared to fixed obstacles must be such as to allow the easy passage for the use and maintenance; in particular, the minimum space to allow the passage of persons shall be equal to 650 mm (in accordance with UNI EN 349:2008). The minimum distance between the completely lowered back and fixed obstacle has to be 500 mm, in order to avoid the body to be crashed by the chair.

2.5. Levelling

The chair is provided with 4 adjustable feet that enable to level it perfectly and to compensate any failing of the flooring. The regulation can be done by screwing or unscrewing the feet.

2.6. Power supply

The system of power supply must have voltage and frequency equal to the rated voltage and frequency of the power supply of the device and be appropriate to the installed capacity, as indicated on the identification plate of the chair.

Voltage	100 V / 240 V
Frequency	50/60 Hz
Power / Absorption	4 Amax (1,7 A)
Power supply	Alternate Current (AC) One Phase L+N
Duty cycle	2 min work / 18 min at 10% maximum
IP Protection	IP54

Control box class II

The power supply must be supplied to the unit by a line:

- Protected against overcurrent by an automatic circuit breaker (circuit breaker) or fuses, properly sized; the operating current of the protections must be as low as possible taking into consideration the maximum absorption of the device;
- Equipped with a device sensitive to insulation failure (differential) with operating current low enough; this device must be positioned downstream of the overcurrent protective device (or be integrated with it);
- Having cables with section suitable for the power absorbed by the appliance.



To avoid the risk of electric shock, this appliance **must only be connected to a power supply with protective earth (grounding).**

2.7. Connections

START (ON): plug the power cable into a suitable electric socket. If there is incompatibility between the outlet and the plug of the chair, ask qualified personnel to replace it with a suitable one.

STOP (OFF): Remove the plug from the electric socket.



ATTENTION! Pull out by grabbing THE PLUG, NOT THE CORD



WARNING! It is strongly recommended to insert the plug into a single outlet exclusively reserved to the device. We do not recommend the use of multiple sockets (power strip), adapters and patch cords. The cable must not be bent.



WARNING! Before plugging in the cable, make sure that it is not twisted or bended and make sure that the protective sheath is undamaged.





WARNING! The chair must be positioned in order to ease the removal of the electric plug.



WARNING! To avoid the risk of electrical shock, this chair must exclusively be plugged in power supply grids with protective ground.

3. ENVIRONMENTAL WORKING CONDITIONS AND STORAGE

The chair has been designed and built to operate in a closed and dry room. The ambient operating condition are:

- temperature: 5° ÷ 40° C 
- humidity: 30% ÷ 75% without condensation. 

If the environmental conditions are particularly critical it is advisable to provide the room with an adequate air conditioning system to bring the humidity and temperature values within acceptable limits.



WARNING! Do not expose the chair to an excessively humid environment. If the chair gets wet, remove the plug from the outlet and have it checked by an Authorized Service Centre.



WARNING! The chair was not conceived to be used in settings with explosive atmospheres, in presence of thin powders or corrosive gases, acids, corrosive agents or salt.

WARNING! It is recommended to check the adequacy of the electromagnetic performance of the devices adjacent to the chair, observing that it continues to operate normally.



- Not intended to be used in oxygen rich environments.

- Not intended to be used with flammable anesthetics or in conjunction with flammable agents.



STORAGE! For the correct functioning of the electrical equipment the storage of the chair must be at a temperature between -25° C and +55° C, and only for short periods not exceeding 24 hours, to +70° C. The chair has no special requirements for storage, provided that it takes place in a closed and dry rooms; this condition should also be ensured during all phases of transport.

4. PRELIMINARY INSPECTIONS



Before using the chair, please check that:

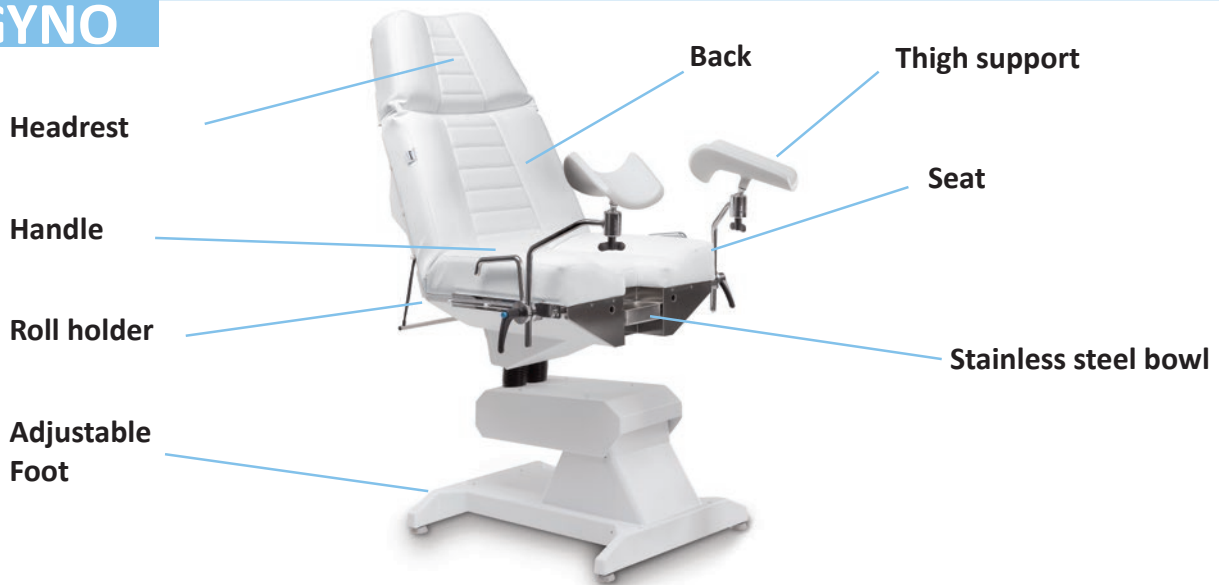
- the equipment does not present any damage arising from transport or handling; if needed, please contact the manufacturer Brusaferrri & C to solve such inconveniences;
- all packing (carton box, foam, plastic) have been removed;
- the voltage of your cabin is the same as the voltage showed in section 2.6 Power Supply;
- all control devices (electrical or manual) work correctly



- For the installation, please contact qualified personnel only.
- Before the setting at work of the chair itself, run a few idling cycles test, in conditions of safety, by qualified personnel.

5. DESCRIPTION OF THE CHAIR

GYNO



HYDROGYNO



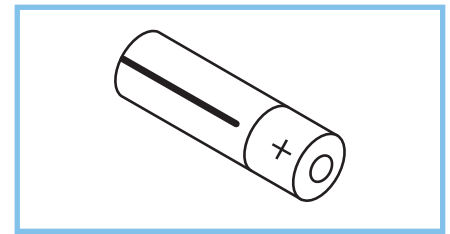
GYNO PLUS



6. OPTION ON DEMAND

6.1. Wireless pedal without cable (GYNO and GYNO PLUS only)

If the chair is equipped with a wireless pedal, follow the instruction in § 7.3. Controls for the installation and proper use. (Max distance 3mt)
The wireless pedal works with two AAA batteries: unscrew the two screws on the plate that is on the top of the pedal to replace the batteries.



6.2. Wheels

You can install the braked wheels on the chair by unscrewing the 4 (Gyno and Hydrogyno) or 5 (Gyno Plus) fixed feet.



WARNING! ALWAYS block the brake of each wheel before the client sits on the chair.

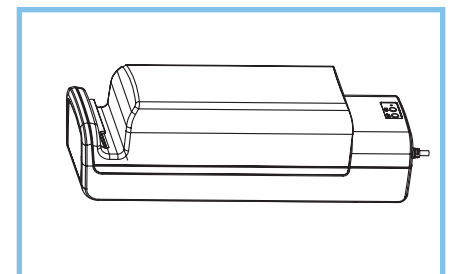


6.3. Battery

The battery (5.0Ah capacity) is dual-function:

AUXILIARY: the battery acts as an auxiliary in the event of a power failure

ONLY WITH BATTERY: the battery works without connecting the chair to the power cable.



ATTENTION! The battery must be connected to the base of the chair by means of a technical intervention to lift the plastic base and connect the battery to the control unit already set up.

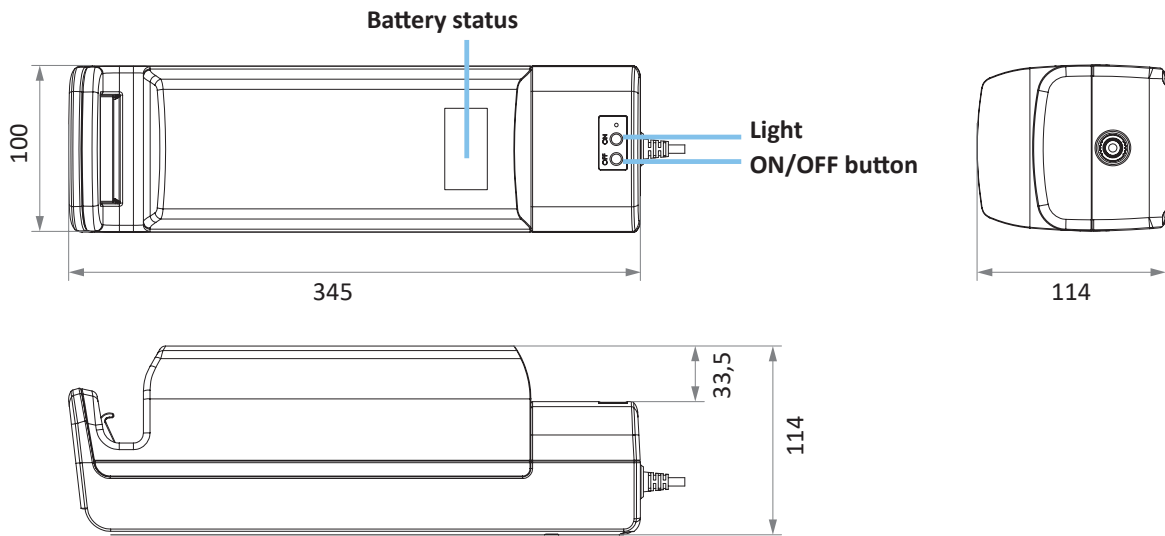


ATTENTION! Before using the table, charge the battery for 24 hours continuously and check the charging status (green light).



ATTENTION! The battery:

- must follow the rated input voltage
- must not be soaked in water or exposed to heat sources
- must be recycled with certified deposits
- must be repaired in authorized maintenance centers
- must have a certified charger from original manufacturers



6.4. Functioning

BUTTON	OPERATION	ACTION
ON	Press 1 sec	Power and discharge
OFF	Press 3 sec	Shut down and stop discharge

6.5. Technical specifications

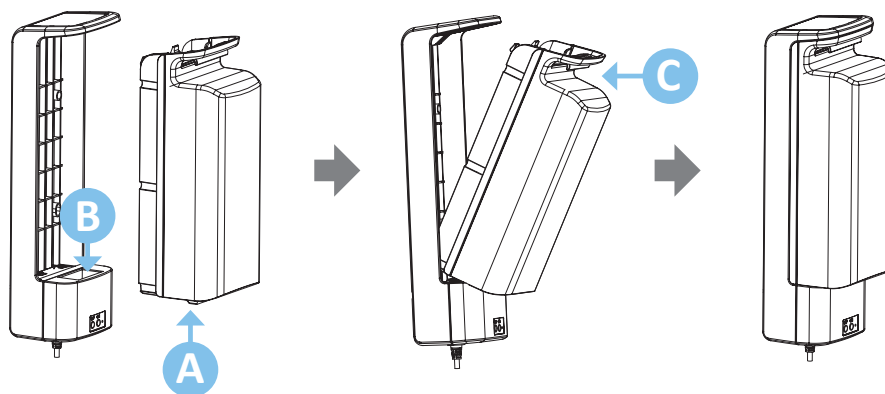
MODEL - LEAD BATTERY	
Battery capacity	5.0Ah
Battery charger absorption	1A - 110W (power:110V) / 220W (power: 220V)
Input	29~45V DC
Output	24V DC, 5.0A
Duty cycle	2 minutes ON / 18 minutes OFF
Operation temperature	5~45°C
IP rating	Up to IP54
Dimensions	345x100x114 mm
Net weight/pc	4.4 kg
ON & OFF	With

6.6. Status indicators

STATUS	CHARGE CAPACITY	LED
Full charging	100% - 25%	Green - Continuous on
Low charging	25% - 20%	Arancione - Lampeggiante
Protection	<20%	Off
Failure	-	Orange - Continuous on

6.7. Battery installation and replacement

- **INSTALLATION:** insert the (A) part in (B) hole and push till the battery is blocked. Then **PRESS THE ON BUTTON** (see 6.2) to activate it.
- **REPLACEMENT:** to remove the battery, press the lever (C) and pull outward as shown.



6.8. Maintenance

The battery must be charged continuously for at least 24 hours when:

- It is used for the first time
- It is used after 6 months stop



WARNING! THE BATTERY CHARGER (100/240 V) MUST ABSOLUTELY NOT COME INTO CONTACT WITH WATER. We therefore suggest placing it as far as possible from the water.

6.9. Accessori

Accessory	Position of the guides	Clamps to use to fix the accessory
Heel Support	On the seat	Fixed
Feet Support (Gyno PPlus)	On the seat	Fixed
Medical Armrests	On the back	Rotatable
Flat Armrests (Gyno Plus)	On the back	-----
Curtain holder	On the back	Rotatable
I.V. Rod	On the back	Rotatable
Inox Metal Tray	On the seat	Fixed
Colposcope	-----	-----

You must insert the accessories in the slots of the clamps and fix to the guides by screwing and unscrewing the handle. As for the thigh/heels/foot supports and the metal tray, once they are properly installed it is possible to turn the handles without loosening the clamps; simply pull the handles and place them so that they do not bother while using the chair.

6.10. Chair Rotation (ONLY for GYNO and GYNO PLUS)

The upper part of the chair can rotate to 180° (90° left + 90° right). To rotate the chair, turn the handle situated under the basement, fix the chair into the required position and block the rotation by tightening the handle clockwise.



6.11. Removable leg support

Insert the removable leg support cushion in the specific supports under the seat.



7. INSTRUCTION FOR USE

7.1. Operator

The chair is controlled by an operator through the foot pedal (or the hand control); the operator must position themselves so as to have complete view of the controlled parts and of the patient.



WARNING! During the functioning of the chair the operator should always remain in the vicinity of the controls; it is forbidden to leave the chair unattended during its operation.



Operators should pay attention to avoid creating potentially dangerous situations for their own or other's safety.



All people working on the chair must be properly trained on the correct methods of work and informed about its proper functioning. They also need to be aware of the parts of this documentation relevant to their work.



Operators must not wear clothes with drapes that could get caught by moving part of the chair. Proper clothing is made of close-fitting garments, especially on the upper limbs. Nor the operator and the patient must wear rings, necklaces, bracelets, wristwatches, ties or other objects that could get caught by moving parts of the machinery.



In case of allergy, cover the chair with a sheet.
The operator must stand in order to always control all the adjusted parts and also the patient.

7.2. Use of mattress



IMPORTANT! It is mandatory to cover and protect the mattress with disposable paper covers or washable sponge covers (better if sponge + PVC) for its correct and hygienic preservation. The upholstery could be damaged by the normal heat of the skin or by a prolonged use of essential oils or cosmetic product. Any replacement caused by damages due to misuse won't be considered under warranty.

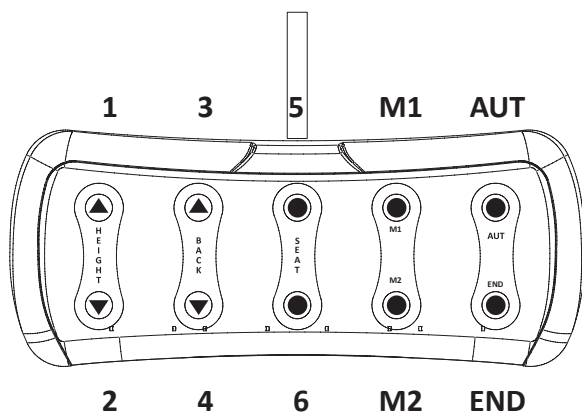
7.3. Controls (GYNO and GYNO PLUS)

The chairs can be controlled by a pedal with cable, a wireless pedal or a hand control. All the controls work only when activated: the chair movement will stop as soon as the operator releases the button/pedal, except for the AUT (Automatic return to the initial position) which can be stopped by pressing any button/pedal.



The operator only can use controls (foot and hand control) to move the examination chair

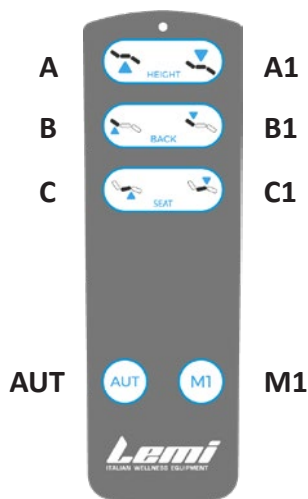
FOOT PEDAL CONTROL / WIRELESS (GYNO - GYNO PLUS)



- Pedal 1:** Chair Up
- Pedal 2:** Chair Down
- Pedal 3:** Back Up
- Pedal 4:** Back Down
- Pedal 5:** Trendelenburg Up
- Pedal 6:** Trendelenburg Down
- Pedal M1:** Memory position 1
- Pedal M2:** Memory position 2
- Pedal AUT:** automatic return to original position of the chair, to allow customer to get up or down easily.
- Pedal END:** automatic return from any position to the flat position (flat and minimum height)

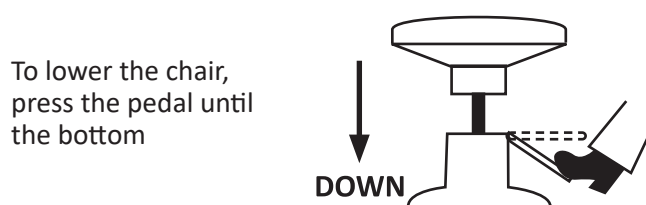
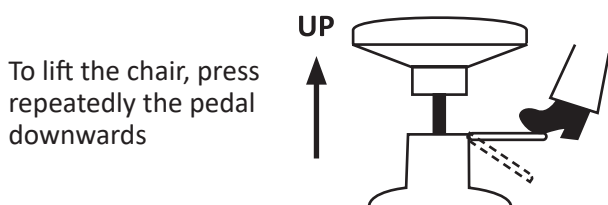
Once the treatment is ended, before the patient/client gets up, keep the chair to the initial position by pressing the AUT button/pedal.

HANDSET CONTROL (GYNO - GYNO PLUS)

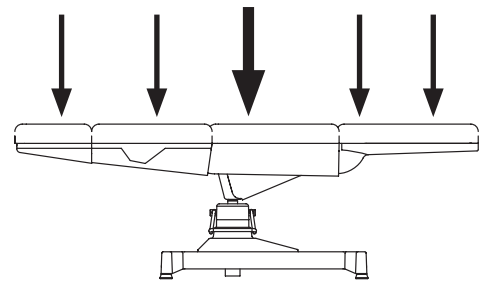


- Button A:** Chair Up
- Button A1:** Chair Down
- Button B:** Back Up
- Button B1:** Back Down
- Button C:** Trendelenburg Up
- Button C1:** Trendelenburg Down
- Button AUT:** automatic return to original position of the chair, to allow customer to get up or down easily.
- Button M1:** Memory position 1

7.4. Up & Down Adjustment (HYDROGYNO only)



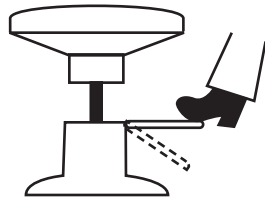
To ensure a regular lowering of the chair, the weight of the patient must be balanced as shown in the picture below.



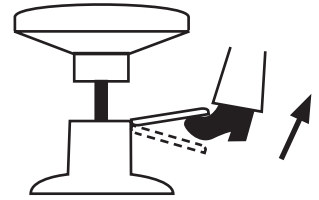
7.5. Chair Rotation (ONLY for HYDROGYNO)

The upper part of the chair can rotate to 360°.

To rotate the chair, press the pedal downwards one time to unblock the rotation.



Raise the pedal upwards to block rotation and fix the position.



ATTENTION! Before the client sits on the chair, always check the rotation is blocked so to avoid any risk of fall.

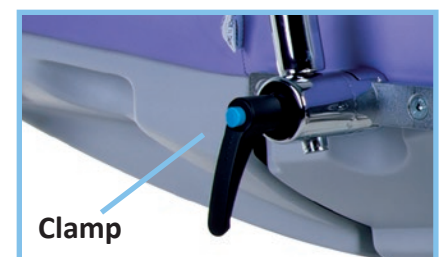
7.6. Head adjustment (GYNO and HYDROGYNO only)

To adjust the head inclination, press the button under the back rest (push)



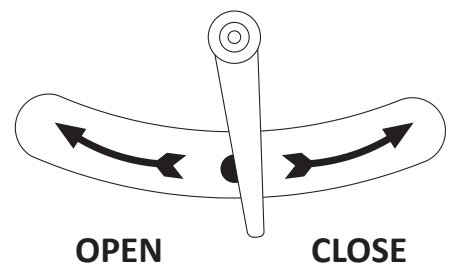
7.7. Thigh support adjustment

- to lift up/down: turn the clamp handle
- to adjust inclination: open/close the butterfly screw under the thigh support



7.8. Trendelenburg adjustment (HYDROGYNO only)

Turn the handle anti-clockwise (OPEN), adjust the position and fix it by turning clockwise (CLOSE).



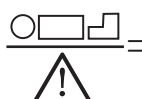
ATTENTION! Before the client sits on the chair, always check the Trendelenburg handle is closed so to avoid any risk of fall.


7.9. Back adjustment (ONLY for HYDROGYNO)

Hold the upholstery and use the lever for back adjustment to place it in the required position.



8. USE OF THE CHAIR

 = 200 kg (max. patient weight)
150 kg (max. patient weight for Hydrogyno)

 = 2500 N (safety load)
2000 N (safety load for Hydrogyno)



On the chair, only one person can get up; the person must go up/down when the chair is in the basic position going up on the seat.



WARNING! Get on the chair always by sitting properly in the central part of the seat. Do not sit or lean on the side of the feet or of the head.



WARNING! The limbs of the patient must always be on the chair. The operator must always inform the patient when he moves the chair.



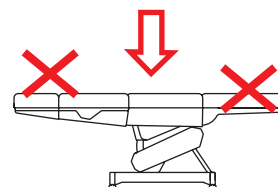
WARNING! Be careful to make sure that the chair or its electrical parts are not wet and that liquids become not stagnant on the chair itself; immediately wipe up any liquids – including physiological liquids of the patient – which may end up on the chair.



WARNING! If a patient is let alone for a short time, it is necessary to place the chair in the lowest position with respect to the walking floor, in order to reduce risk of damage in case of fall



To avoid shock hazard, do not connect or disconnect the power plug with wet hands. Do not use the chair barefoot.



9. MAINTENANCE

The chair has been designed and constructed so as to reduce as much as possible the necessary maintenance and ensure proper functioning over the years without any problems. During any intervention on the chair, it is recommended to follow the instructions given in this section.



WARNING! All interventions on the chair must be carried out by competent and trained personnel on the methods to operate correctly and safety. Do not make any action on the chair moving, and always check that the plug connecting to power supply is disconnected; bring the power plug next to you during the execution of the intervention on the chair so you can check at any time the actual separation.

9.1. General Checks

Constantly check the general condition of the chair: the integrity of the protections, the electrical equipment and the condition of the pads.



WARNING! Do not use the chair if any component is found to be not perfectly intact or in service. In this case, put the chair out of service by disconnecting the power plug immediately and contact an Authorized Service Centre.



WARNING! Do not modify this chair without authorization of the manufacturer. If this chair is modified, appropriate inspection and testing must be conducted to ensure its continued safe use.

9.2. Extraordinary Maintenance

Any extraordinary maintenance must be performed by qualified personnel of the technical service Brusaferrri & C. or Service Centre authorized by the manufacturer.

Information about the Authorized Service Centre to which you can turn, can be obtained directly from the manufacturer Brusaferrri & C srl – phone 0374/363068-69 – mail: service@lemigroup.it

For a correct and quickly resolution of the problem, it is necessary to communicate the model and the serial number of the chair and the description of the defect, or what are the visible problems, and under what condition it occurs.

The broken chair, if under warranty, must be sent to the Service Centre together with the certificate of guarantee, transport charges must be paid by the purchaser.



WARNING! Any form of warranty expires if interventions are carried out on the chair by someone not authorized by Brusaferrri & C.

9.3. Authorized Personnel

Repairs and maintenance of the chair can be carried out exclusively by competent personnel, that is of Brusaferrri & C. or authorized by it. Information on the staff to contact for possible interventions can be obtained directly from Brusaferrri & C.

9.4. Cleaning

Each time you make a treatment, always cover the mattress with towels or disposable towels before the patient sit on the chair (See §7.2. Use of the mattress).



Pay particular attention to the jeans that can stain the covering without any possibility of being removed.



Clean the chair before each use, paying particular attention to remove all traces of physiological fluids of the previous patient. To clean the chair use a cloth and lukewarm water (if necessary diluted neutral detergent). If necessary, use a non-aggressive disinfectant, then wipe off with a clean dry cloth.



Do not use products such as alcohol, acetone, bleach, paint thinner, gasoline.



WARNING!

- Be careful not to spray liquids on the electrical equipments, pedal/push-button strip and on the protections of the chair.
- You must follow the handling directions given in the safety data sheets of the detergents used.
- While during the cleaning operation of the chair, inhaling powders are produced, use a proper protective device and air adequately the room.
- Use proper individual protection devices

10. IN CASE OF AN ACCIDENT

Any serious accident occurring in relation to this device must be immediately reported to the manufacturer and the competent authority of the member state in which the user and / or patient is established.



Do not remove protections in any case; do not use the chair if the protections are damaged or not correctly fixed.



Do not put limbs near to the moving parts of the chair.

11. SPARE PARTS

All the spare parts must be requested to Brusaferrri & C. that will supply them directly or will give you indications on the place where they can be found. Please note that any extraordinary maintenance must be performed by personnel of Brusaferrri & C. or authorized by it.



WARNING! Any form of warranty expires if they are used spare parts other than those originally fitted.

12. DISMANTLE



If the chair becomes inoperative or is not to be used for an extended period of time, it is recommended to remove it from service and remove the plug from the socket. All materials used to manufacture the chair are not toxic or hazardous to the health of operators, so they can be handled without special precautions.

In case of disable of the chair you should perform a separation of different materials for subsequent reuse or differentiated elimination. All electrical and electronic products should be separately disposed, using specific collection facilities appointed by the Government or the Local Authorities.

13. DISPOSAL OF OBSOLETE EQUIPMENT



The correct disposal of the obsolete equipment will help to prevent potential negative effects on human health and the environment. For information, contact your Local Council or the Waste Disposal Service.



- **The dismantling of the chair at the end of its functional life must be done by qualified personnel trained about the correct way of handling – and if necessary of dismantling the chair.**
- **Use only suitable equipment and lift appliances in accordance with the National Regulations and Legislative Law in force.**
- **Having to dismantle the chair or to move it in another place, please contact the manufacturer Brusaferrri & C – Italy.**

IMPORTANT NOTICE

HOW TO CLEAN THE ABS PLASTIC COVERING



It is forbidden to use the following products which could seriously damage the plastic covering, provoking cracks and the subsequent breaking:

- Degreasing solvent-based agents: e.g. ACETONE, DENATURED ETHYL ALCOHOL, TRICHLOROETHYLENE, FUEL, TURPENTINE...
- Watered-down acids (HYDROCLORIDRIC ACID, NITRIC ACID) or products containing watered-down acids
- Watered-down bases (CAUSTIC SODA, SODIUM HYPOCHLORITE, AMMONIA, BLEACH) or products containing weak bases
- Fluorinated hydrocarbons (e.g. LEAKS FROM REFRIGERANT GAS)
- Food-grade oils (e.g. OLIVE OIL, SEEDS OIL)
- Lubricating mineral-based oils



To CLEAN the coverings we recommend:

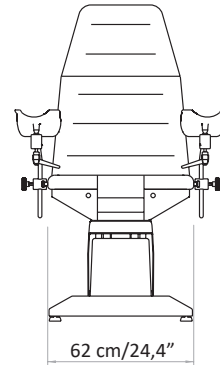
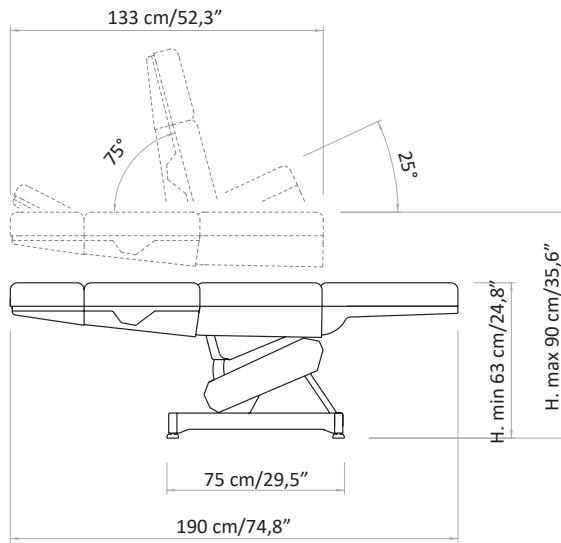
- Soap water
- Water and vinegar
- Non abrasive cream cleanser

Always rinse with clean water and dry with a soft, not abrasive cloth.

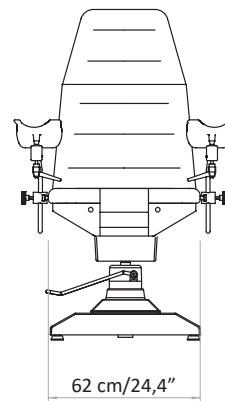
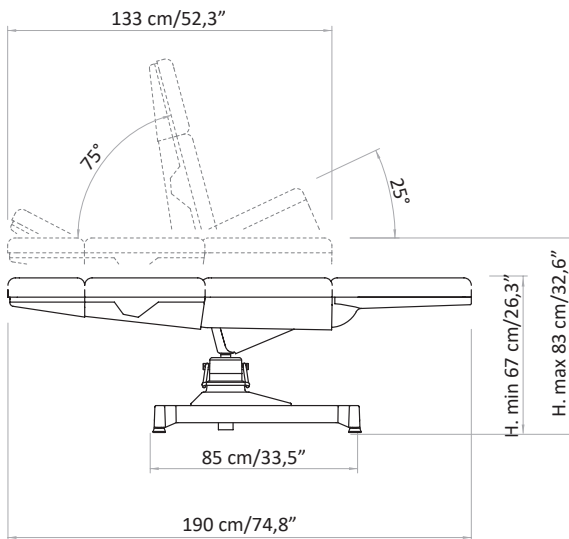
DIMENSIONS

Dimensions in cm and inches:

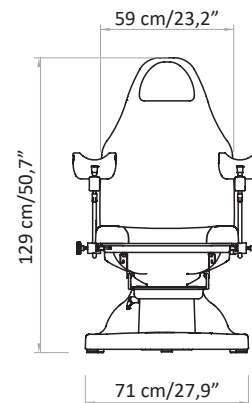
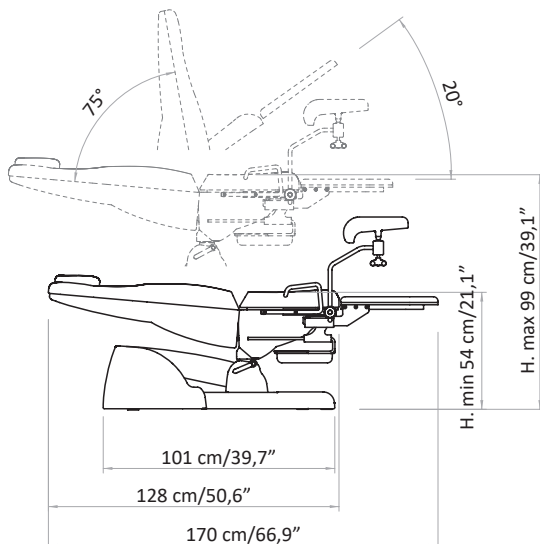
GYNO



HYDROGYNO



GYNO PLUS



1.	INTRODUZIONE	_____	pag. 20
2.	TRASPORTO E INSTALLAZIONE	_____	pag. 21
3.	CONDIZIONI DI FUNZIONAMENTO E IMMAGAZZINAMENTO	_____	pag. 22
4.	VERIFICHE PRELIMINARI	_____	pag. 23
5.	DESCRIZIONE DEL LETTO	_____	pag. 23
6.	ACCESSORI A RICHIESTA	_____	pag. 24
7.	MODALITA' D'USO	_____	pag. 27
8.	UTILIZZO DEL LETTINO	_____	pag. 30
9.	MANUTENZIONE	_____	pag. 30
10.	IN CASO DI INCIDENTE	_____	pag. 32
11.	PEZZI DI RICAMBIO	_____	pag. 32
12.	MESSA FUORI SERVIZIO	_____	pag. 32
13.	SMALTIMENTO APPARECCHIATURE OBSOLETE	_____	pag. 32
14.	LEGENDA ETICHETTA	_____	pag. 67
	DIMENSIONI	_____	pag. 34

Significato dei simboli



La mancata osservanza di questa procedura potrebbe causare danni alla poltrona o sue parti.



La mancata osservanza di questa procedura potrebbe causare danni alla salute o lesioni all'operatore o alle persone vicine alla poltrona.

1. INTRODUZIONE



Il corretto e sicuro funzionamento della poltrona è assicurato solo se viene utilizzato in accordo con quanto indicato nel presente manuale e, in generale, nella documentazione di accompagnamento; pertanto è indispensabile leggere e conservare accuratamente tutta la relativa documentazione. Pur essendo la poltrona dotata di sicurezze attive e passive, non possono essere evitati tutti i rischi dovuti ad un suo utilizzo non corretto. È necessario accertarsi sempre che tutti gli operatori abbiano compreso completamente le norme d'uso; si declina ogni responsabilità per danni a persone o cose derivanti da un uso improprio dell'apparecchio. Non rimuovere o deteriorare etichette, scritte e avvertenze poste su parti della poltrona. In caso sia necessario ripristinarle, contattare il costruttore. Il costruttore, Brusaferrì & C., declina ogni e qualsiasi responsabilità per la mancata osservanza delle norme di sicurezza e di prevenzione descritte nelle varie sezioni del presente manuale e per danni causati da un utilizzo improprio. Tutti gli interventi sul lettino (manutenzioni, regolazioni, riparazioni, pulizia) devono essere effettuati da personale opportunamente addestrato e secondo quanto indicato nel presente manuale.

1.1. Destinazione d'uso

I lettini-poltrona GYNO - HYDROGYNO - GYNO PLUS sono adatti per per esami diagnostici, ginecologici, urologici, ecografici e colposcopici. La durata in servizio stimata è 10 anni.



ATTENZIONE! È vietato ogni utilizzo della poltrona diverso da quello descritto nel presente manuale. Brusaferrì & C. declina ogni responsabilità per malfunzionamenti o danneggiamenti a persone o cose dovute ad utilizzi diversi da quelli indicati nel presente manuale.



La poltrona deve essere utilizzato solo da personale informato delle modalità di utilizzo, del funzionamento e delle sue dotazioni di sicurezza.

1.2. Conservazione del manuale

Il presente manuale operativo deve essere conservato per qualsiasi futura consultazione. Si consiglia di:



Conservare il manuale in un luogo accessibile e noto a tutti gli operatori, protetto da umidità e calore e al riparo dai raggi diretti del sole; Impiegare il manuale in modo da non danneggiarne tutto o in parte il contenuto: non asportare, strappare o modificare alcuna parte del manuale.

Nel caso di vendita o trasferimento della poltrona ad altro soggetto, il presente manuale e i relativi allegati devono essere consegnati, integri, al nuovo utilizzatore.



ATTENZIONE! Leggere attentamente il presente manuale operativo prima di utilizzare la poltrona. Chiunque utilizzi la poltrona deve essere adeguatamente informato sulle parti del presente manuale operativo rilevanti per le operazioni che dovrà svolgere.

1.3. Etichettatura della poltrona

La poltrona è dotata di etichettatura redatta in conformità alle normative in vigore (vedi § 14. Legenda Etichetta)



ATTENZIONE! Si raccomanda di non rimuovere etichette apposte sulla macchina; le etichette devono essere conservate ben fissate, mantenute integre e in ottime condizioni di leggibilità



ATTENZIONE! I dati riportati sulle targhe di etichettatura devono essere comunicati per ogni necessità di assistenza o ricambi.

1.4. Messaggi di attenzione riportati sulla macchina

In corrispondenza della spina di ingresso della alimentazione elettrica è riportato il simbolo di avviso contro il rischio di elettrocuzione. In corrispondenza delle parti mobile è riportata l'avvertenza gialla di "Non infilare parti del corpo o oggetti" (DON'T PUT YOUR FEET ON – DON'T PUT OBJECTS ON) all'interno dell'area di movimento della poltrona al fine di evitare rischio di schiacciamento.

2. TRASPORTO E INSTALLAZIONE

2.1. Movimentazione e rimozione dall'imballo

La poltrona può essere sollevata e movimentata manualmente da due o quattro persone, prendendolo esclusivamente per i 4 piedini della base.



Il peso della poltrona è pari a 67 kg.

La poltrona viene spedita imballata in uno scatolone di cartone. Aprire lo scatolone in modo da poter sollevare liberamente la poltrona; rimuoverla dall'imballo prendendola per i 4 piedini e sfilarla verso l'alto.



ATTENZIONE!

- Le operazioni di trasporto e movimentazione devono essere effettuate da personale opportunamente addestrato
- È severamente vietato rimuovere la poltrona sollevandola dalla parte superiore (materasso).
- Non utilizzare coltelli o taglierini per aprire la scatola in modo da non rischiare di danneggiare la poltrona ed in particolare l'imbottitura.
- Prima del suo utilizzo provvedere alla pulizia dell'intera poltrona secondo le modalità descritte al §9.4. Pulizia

2.2. Pavimentazione

La pavimentazione sulla quale la poltrona verrà appoggiata deve essere compatta, liscia, orizzontale ed adeguata a sostenerne il peso e a garantirne la stabilità.

2.3. Illuminazione

L'utilizzatore deve garantire che l'illuminazione delle zone di lavoro sia sufficiente a consentire una buona visuale delle operazioni e di tutti gli elementi della poltrona; il livello di illuminamento dovrebbe essere conforme alla norma UNI EN 12464-1; in particolare devono essere evitate zone d'ombra ed abbagliamenti fastidiosi.

2.4. Posizionamento

La posizione della poltrona rispetto ad ostacoli fissi deve essere tale da consentire l'agevole passaggio per l'utilizzo e la manutenzione; lo spazio minimo per consentire il passaggio delle persone deve essere pari a 650 mm (in conformità alla norma UNI EN 349:2008). Per evitare schiacciamento di tutto il corpo la distanza minima tra l'appoggia gambe completamente allungato e lo schienale completamente abbassato ed ostacoli fissi deve essere pari a 500 mm.

2.5. Livellamento

La poltrona è dotata di quattro piedini regolabili che permettono di livellarla perfettamente e compensare eventuali imperfezioni della pavimentazione. La regolazione dei piedini può essere effettuata semplicemente avvitantoli o svitandoli.

2.6. Alimentazione Elettrica

L'impianto di alimentazione elettrica deve avere tensione e frequenza pari alla tensione e frequenza nominale di alimentazione dell'apparecchio ed essere adeguato alla potenza installata, come indicato sulla targa di identificazione della poltrona.

Tensione	100 V / 240 V
Frequenza	50/60 Hz
Assorbimento	4 Amax (1,7 A)
Alimentazione	Corrente alternata monofase L+N
Ciclo di lavoro	2 min / 18 min al 10% massimo
Protezione IP	IP54

Centralina classe II

L'alimentazione elettrica deve essere fornita all'apparecchio da una linea:

- Protetta contro le sovracorrenti mediante interruttore automatico (magnetotermico) o fusibili, adeguatamente dimensionati; la corrente di intervento delle protezioni deve essere la più bassa possibile tenendo in considerazione il massimo assorbimento dell'apparecchio;
- Dotata di un dispositivo sensibile ai guasti dell'isolamento (differenziale) con corrente di intervento sufficientemente bassa; tale dispositivo deve essere posto a valle del dispositivo di protezione contro le sovracorrenti (o essere integrato con esso);
- Avente cavi di sezione idonea alla potenza assorbita dall'apparecchio.



Per evitare il rischio di shock elettrico, questo apparecchio deve essere collegato **esclusivamente a reti di alimentazione con terra di protezione (messa a terra).**

2.7. Collegamenti

AVVIAMENTO: inserire la spina in una presa elettrica idonea. Se c'è incompatibilità tra la presa e la spina della poltrona, fare sostituire la presa con un tipo adatto da personale professionalmente qualificato.

SPEGNIMENTO: Rimuovere la spina dalla presa elettrica.



ATTENZIONE! Estrarre dalla presa afferrando LA SPINA, NON IL CAVO.



ATTENZIONE! È vivamente raccomandato di inserire la spina di alimentazione ad una presa singola riservata esclusivamente all'apparecchio. Si sconsiglia l'uso di prese multiple (ciabatte), adattatori e prolunghie. Il cavo elettrico non deve essere piegato.



ATTENZIONE! Prima di collegare il cavo di alimentazione, assicurarsi che non sia piegato, attorcigliato e che la guaina di protezione sia integra.





ATTENZIONE! La poltrona deve essere posizionata in modo da rendere agevole in ogni momento la disconnessione della spina dall'alimentazione elettrica.



ATTENZIONE! Per evitare il rischio di shock elettrico, questo apparecchio deve essere collegato esclusivamente a reti di alimentazione con terra di protezione.

3. CONDIZIONI AMBIENTALI DI FUNZIONAMENTO E IMMAGAZZINAMENTO

La poltrona è stata progettata e costruita per funzionare in ambiente chiuso e asciutto. Le condizioni ambientali di funzionamento sono:

- Temperatura: $5^{\circ} \div 40^{\circ} \text{C}$ 
- Umidità: $30\% \div 75\%$ senza condensa. 

Qualora le condizioni ambientali siano particolarmente critiche si consiglia di dotare l'ambiente di un adeguato impianto di condizionamento per riportare i valori di umidità e temperatura nei limiti accettabili.



ATTENZIONE! Non esporre la poltrona ad un ambiente eccessivamente umido. Se la poltrona dovesse bagnarsi, estrarre la spina dalla presa e farlo controllare in un Centro Autorizzato.



ATTENZIONE! La poltrona non è stata progettata per funzionare in ambienti con atmosfere esplosive, in presenza di polvere fine o di gas corrosivi, in presenza di acidi, agenti corrosivi, sale.

ATTENZIONE! Si raccomanda di verificare l'adeguatezza delle prestazioni elettromagnetiche dei dispositivi adiacenti alla poltrona osservando che questa continui ad operare normalmente.



- Non destinato ad essere utilizzato in ambienti ricchi di ossigeno.
- Non destinato all'uso con anestetici infiammabili o in combinazione con agenti infiammabili.



IMMAGAZZINAMENTO! Per il corretto funzionamento dell'equipaggiamento elettrico l'immagazzinamento della poltrona deve avvenire a una temperatura compresa tra -25°C e $+55^{\circ}\text{C}$ e, solo per brevi periodi non superiori alle 24 ore, a $+70^{\circ}\text{C}$. La poltrona non presenta particolari esigenze per l'immagazzinamento, purché avvenga in ambiente chiuso e asciutto; tale condizione deve essere assicurata anche durante tutte le fasi del trasporto.

4. VERIFICHE PRELIMINARI



Prima della messa in funzione della poltrona accertarsi che:

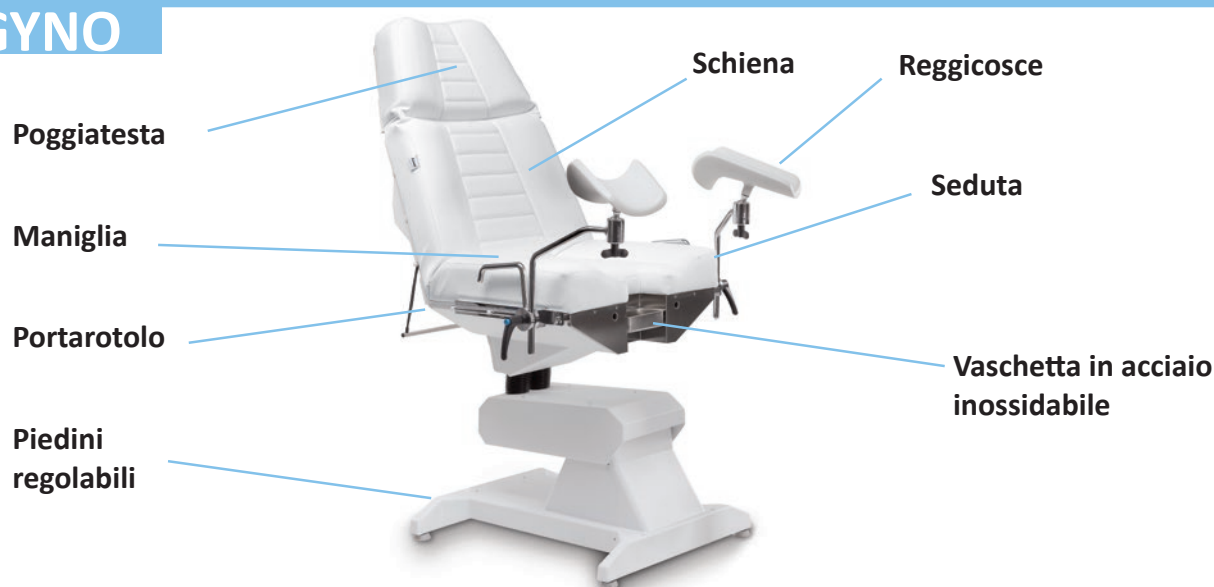
- non ci siano danni all'attrezzatura imputabili alle fasi di trasporto e movimentazione; procedere eventualmente a ovviare a tali inconvenienti, contattando Brusaferrri & C.;
- tutti i componenti dell'imballo (cartone, plastica, regge, bancale) siano stati rimossi;
- verificare che la tensione di alimentazione sia uguale a quella nominale indicata al § 2.6. Collegamenti;
- verificare l'efficienza del funzionamento delle apparecchiature di comando.



- Per l'installazione, si prega di contattare solo personale qualificato.
- Prima della messa in servizio vera e propria della poltrona, far eseguire alcuni cicli di lavoro di prova a vuoto, in condizioni di sicurezza, da parte di personale qualificato.

5. DESCRIZIONE DEL LETTINO

GYNO



HYDROGYNO



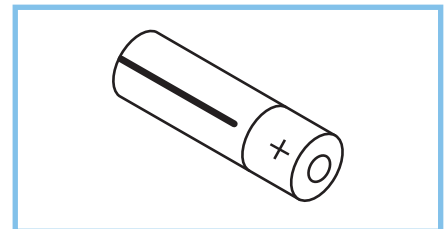
GYNO PLUS



6. ACCESSORI A RICHIESTA

6.1. Pedaliera wireless senza cavo (solo per GYNO e GYNO PLUS)

Se la poltrona è dotata di pedale wireless (senza filo), seguire le istruzioni al § 7.3. Comandi per l'installazione e l'utilizzo corretto. (Distanza massima 3metri) Il pedale wireless funziona con 2 pile AAA: svitare le due viti della placchetta che si trova sulla parte superiore del pedale e sostituire le pile.



6.2. Ruote

Le ruote con freno vengono installate svitando i 4 (Gyno e Hydrogyno) o 5 (Gyno Plus) piedini fissi.



ATTENZIONE! Bloccare SEMPRE il freno di ogni ruota prima di far accomodare il paziente sulla poltrona.

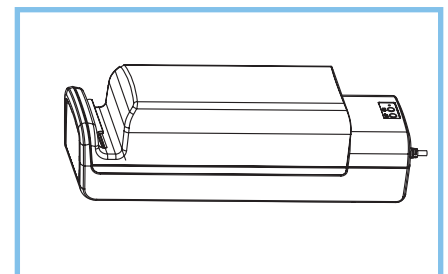


6.3. Batteria (SOLO per GYNO PLUS)

La batteria (capacità 5.0Ah) è a doppio funzionamento:

AUSILIARIA: la batteria agisce da ausiliaria in caso di eventuale mancanza di corrente 230/110 V

SOLO A BATTERIA: la batteria agisce senza collegare la poltrona al cavo di alimentazione.



ATTENZIONE! La batteria deve essere collegata alla base della poltrona tramite intervento tecnico per sollevamento carter e collegamento alla centralina già predisposta.

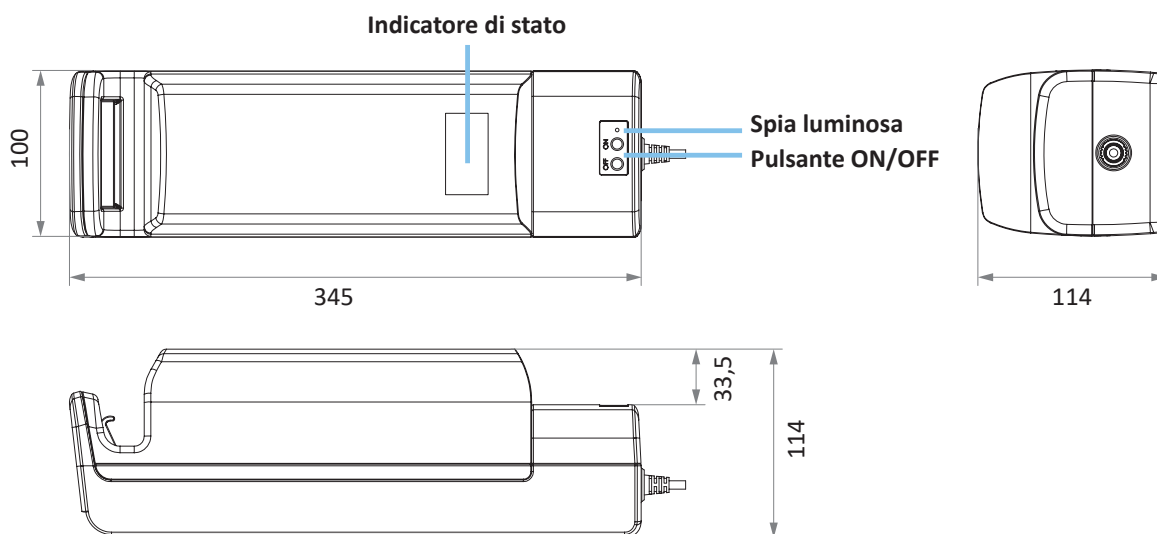


ATTENZIONE! Prima della messa in opera, caricare la batteria per 24 ore continuative e verificare lo stato di carico (luce verde).



ATTENZIONE! La batteria:

- deve seguire la tensione di ingresso nominale
- non deve essere immersa in acqua o esposta a fonti di calore
- deve essere riciclata con depositi certificati
- deve essere riparata in centri di manutenzione autorizzati
- deve avere un caricatore certificato da produttori originali



6.4. Funzionamento

PULSANTE	FUNZIONAMENTO	AZIONE
ON	Premere 1 sec	Accensione e scarico
OFF	Premere 3 sec	Spegnimento e arresto scarico

6.5. Specifiche tecniche

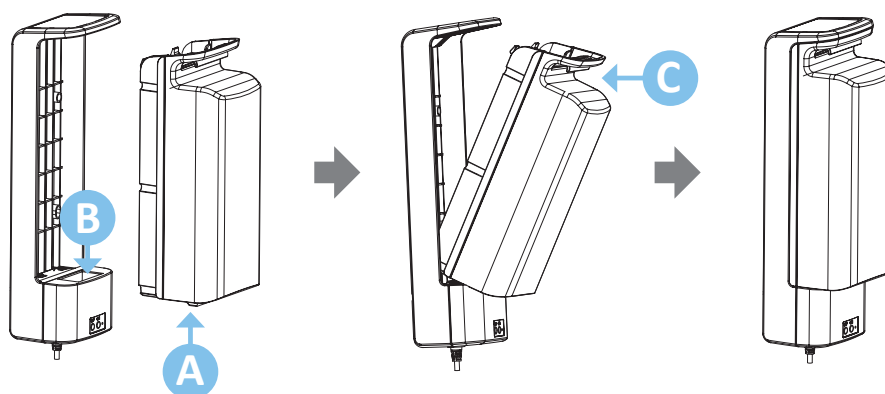
MODELLO - BATTERIA AL PIOMBO	
Capacità batteria	5.0Ah
Assorbimento carica batteria	1A - 110W (power:110V) / 220W (power: 220V)
Input	29~45V DC
Output	24V DC, 5.0A
Ciclo di lavoro a pieno carico	Ogni 2 min ON richiedono 18 min OFF
Temperatura d'esercizio	5~45°C
Classe di protezione IP	Fino a IP54
Dimensioni	345x100x114 mm
Peso netto	4.4 kg
ON & OFF	Presente

6.6. Indicatori di stato

STATO	CAPACITÀ DI CARICA	LED
Piena carica	100% - 25%	Verde - Fisso
Bassa carica	25% - 20%	Arancione - Lampeggiante
Riserva	<20%	Spento
Guasto	-	Arancione - Fisso

6.7. Installazione e sostituzione della batteria

- **INSTALLAZIONE:** inserire il beccuccio (A) nel foro (B) e spingere sino al blocco della batteria. Una volta inserita, **PREMERE IL PULSANTE ON** (vedi 2.2.) per attivarla.
- **RIMOZIONE:** per rimuovere la batteria, premere la leva di sgancio (C) e tirare verso l'esterno.



6.8. Manutenzione

Il prodotto deve essere caricato continuamente per almeno 24 ore nelle seguenti circostanze:

- Primo utilizzo
- Messa in opera dopo 6 mesi di inattività



ATTENZIONE! IL CARICABATTERIE (100/240 V) NON DEVE ASSOLUTAMENTE ENTRARE IN CONTATTO CON L'ACQUA. Sugeriamo quindi di posizionarlo ALL'ESTERNO DELLA CABINA o comunque il più lontano possibile dall'acqua.

6.9. Accessori

Accessorio	Posizione delle guide	Morsetti per fissaggio
Reggi tallone	Sulla seduta	Fissi
Supporto piede (Gyno Plus)	Sulla seduta	Fissi
Braccioli medicali	Sulla schiena	Girevoli
Braccioli automatici (Gyno Plus)	Sulla schiena	-----
Reggitelo	Sulla schiena	Girevoli
Asta porta flebo	Sulla schiena	Girevoli
Vassoio inox	Sulla seduta	Fissi
Colposcopio	-----	-----

Infilare i morsetti nelle guide e gli accessori nei morsetti svitando o avvitando la maniglia.

Per quanto riguarda i reggicoscce/talloni/piedi ed il vassoio inox, una volta fissati correttamente è possibile ruotare le maniglie senza allentare i morsetti, semplicemente tirando le maniglie e posizionandole in modo che non diano fastidio durante l'utilizzo della poltrona.

6.10. Rotazione poltrona (SOLO per GYNO e GYNO PLUS)

La parte superiore della poltrona può ruotare a 180° (90° a sinistra + 90° a destra). Per ruotare la poltrona, girare la maniglia situata sotto il basamento, fissare la poltrona nella posizione desiderata e bloccare la rotazione stringendo la maniglia in senso orario.



6.11. Supporto gambe rimovibile

Inserire il supporto gamba removibile negli appositi supporti sotto la seduta.



7. MODALITA' D'USO

7.1. Operatore

Le poltrone Gyno e Gyno Plus possono essere comandate da un operatore tramite pedaliera (o pulsantiera); mentre Hydrogyno è comandata manualmente dall'operatore; l'operatore deve posizionarsi in modo da avere completa visuale degli organi comandati e del cliente.



ATTENZIONE! Durante il funzionamento della poltrona l'operatore deve sempre rimanere in prossimità degli organi di comando; è vietato abbandonare la poltrona non presidiata durante il suo funzionamento.



Gli operatori devono prestare attenzione a evitare che si creino situazioni potenzialmente pericolose per la propria o altrui incolumità.



Tutte le persone che operano sul lettino devono essere opportunamente addestrate sui corretti metodi di lavoro e informate sul suo corretto funzionamento. Inoltre devono essere informate delle parti della presente documentazione rilevanti per il loro lavoro.



Gli operatori non devono indossare indumenti drappeggianti che possano essere impigliati da elementi dell'apparecchiatura in movimento. Un abbigliamento corretto è costituito da indumenti aderenti, in particolare modo per quanto riguarda gli arti superiori. Inoltre, sia l'operatore che il paziente non devono indossare anelli, collane, braccialetti, orologi, cravatte o altri oggetti che possano essere impigliati da elementi dell'apparecchiatura in movimento.



In caso di allergie, coprire la poltrona con un telo. L'operatore deve posizionarsi in modo da avere sempre sotto controllo tutte le parti in movimento della poltrona ed anche il paziente.

7.2. Uso del materasso



IMPORTANTE! Per una corretta conservazione del materasso (in particolare il rivestimento) e per questioni igieniche è indispensabile coprire e proteggere il materasso con coperture monouso in carta/cartene e coprimaterassi in spugna lavabili (meglio se spugna + PVC). Il rivestimento infatti potrebbe danneggiarsi con il calore naturale della pelle e con l'utilizzo prolungato di prodotti contenenti olii o alcool. Eventuali sostituzioni per danni provocati da un uso improprio non saranno considerate in garanzia.

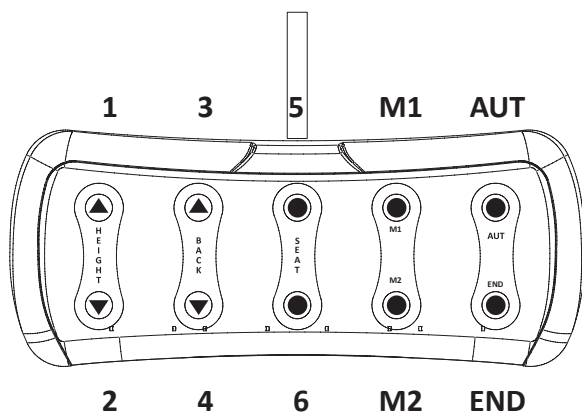
7.3. Controlli (GYNO e GYNO PLUS)

Le poltrone possono essere controllate da una pedaliera con cavo, una pedaliera wireless o una pulsantiera. Tutti i comandi sono ad azione mantenuta, ovvero rilasciando il pulsante (o pedale) di comando il movimento si arresta, tranne il comando AUT di ritorno automatico alla posizione base; questa funzione può però essere arrestata in qualsiasi momento azionando qualsiasi pulsante (o pedale) di comando.



L'operatore deve utilizzare solo i comandi (pedaliera e pulsantiera) per movimentare la poltrona.

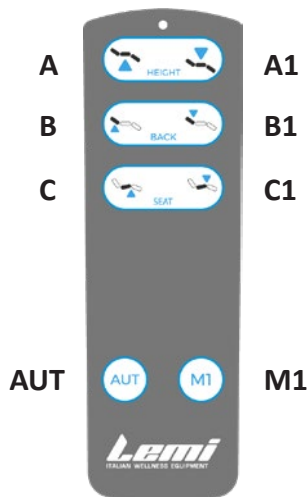
PEDALE CON CAVO/WIRELESS (GYNO - GYNO PLUS)



- Pedale 1:** alzata letto
- Pedale 2:** discesa letto
- Pedale 3:** alzata schiena (back)
- Pedale 4:** discesa schiena (back)
- Pedale 5:** alzata trendelenburg
- Pedale 6:** discesa trendelenburg
- Pedale M1:** Posizione memorizzabile 1
- Pedale M2:** Posizione memorizzabile 2
- Pedale AUT:** ritorno automatico da qualsiasi posizione a posizione poltrona (per facilitare la salita o la discesa)
- Pedale END:** ritorno automatico da qualsiasi posizione a posizione lettino (orizzontale e completamente abbassato)

Una volta terminato il trattamento, prima che il paziente si alzi, mantenere la poltrona nella posizione iniziale premendo il pulsante/pedale AUT.

PULSANTIERA (GYNO - GYNO PLUS)



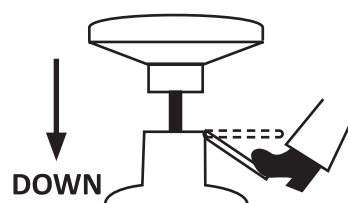
- Pulsante A:** alzata letto
- Pulsante A1:** discesa letto
- Pulsante B:** alzata schiena
- Pulsante B1:** discesa schiena
- Pulsante C:** alzata trendelenburg
- Pulsante C1:** discesa trendelenburg
- Pulsante AUT:** ritorno automatico da qualsiasi posizione a posizione poltrona (per facilitare la salita o la discesa)
- Pulsante M1:** Posizione memorizzabile 1

7.4. Regolazione Up & Down (SOLO per HYDROGYNO)

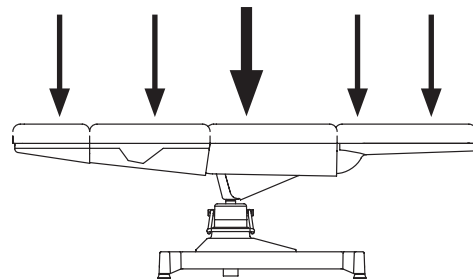
Per sollevare la poltrona, premere ripetutamente il pedale verso il basso



Per abbassare la sedia, premere il pedale fino in fondo.



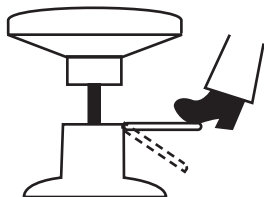
Per garantire un abbassamento regolare della poltrona, il peso del paziente deve essere bilanciato come mostrato in figura.



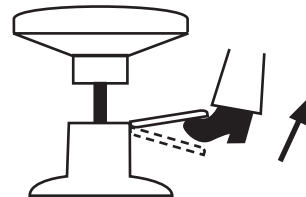
7.5. Rotazione poltrona (SOLO per HYDROGYNO)

La parte superiore della sedia può ruotare a 360°.

Per ruotare la poltrona, premere una volta il pedale verso il basso per sbloccare la rotazione.



Raise the pedal upwards to block rotation and fix the position.



ATTENZIONE! Prima che il cliente sieda sulla poltrona, controllare sempre che la rotazione sia bloccata in modo da evitare qualsiasi rischio di caduta.

7.6. Regolazione testa (SOLO per GYNO e HYDROGYNO)

Per regolare l'inclinazione della testa, premere il pulsante sotto lo schienale (push).



7.7. Regolazione reggicosce

- per sollevare / abbassare: ruotare la maniglia del morsetto
- per regolare l'inclinazione: aprire / chiudere la vite a farfalla sotto il reggicosce

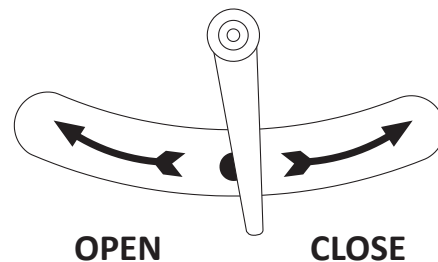


7.8. Regolazione basculante (SOLO per HYDROGYNO)

Ruotare la maniglia in senso antiorario (OPEN), regolare la posizione e fissarla ruotando in senso orario (CLOSE).



ATTENZIONE! Prima che il cliente si sieda sulla poltrona, verificare sempre che la maniglia basculante sia chiusa per evitare rischi di caduta.

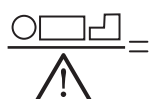


7.9. Regolazione schiena (SOLO per HYDROGYNO)

Sostenere l'imbottitura della schiena e regolarla utilizzando la leva regolazione schiena.



8. UTILIZZO



200 kg (peso massimo cliente)
150 kg (peso massimo cliente per Hydrogyno)



2500 N (carico di sicurezza)
2000 N (carico di sicurezza per Hydrogyno)



Sulla poltrona può salire una sola persona; la persona deve salire/scendere quando la poltrona si trova in posizione base salendo sulla seduta.



ATTENZIONE! Adagiarsi sulla poltrona sedendosi sempre correttamente nella parte centrale della seduta. Non sedersi o appoggiarsi dalla parte dei piedi o della testa.



ATTENZIONE! Gli arti del paziente devono essere sempre sulla poltrona. L'operatore deve sempre avvertire il paziente quando movimenta la poltrona.



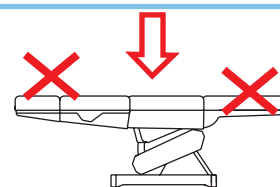
ATTENZIONE! Prestare attenzione a fare in modo che la poltrona o le sue parti elettriche non vengano bagnati e che liquidi non ristagnino sulla poltrona stessa; asciugare immediatamente eventuali liquidi — compresi liquidi fisiologici del paziente — che dovessero finire sulla poltrona.



ATTENZIONE! Se un paziente è lasciato da solo per un breve periodo, è necessario posizionare la poltrona nella posizione più bassa rispetto al pavimento, al fine di ridurre il rischio di danni in caso di caduta.



Per evitare il pericolo di scossa non inserire né disinserire la spina con le mani bagnate. Non utilizzare la poltrona a piedi nudi.



9. MANUTENZIONE

La poltrona è stata progettata e costruita in modo da ridurre il più possibile la manutenzione necessaria e garantire il corretto funzionamento nel corso degli anni senza problemi. Durante qualsiasi intervento sulla poltrona, si raccomanda di seguire le istruzioni fornite in questa sezione.



ATTENZIONE! Tutti gli interventi sulla poltrona devono essere eseguiti da personale competente e addestrato sui metodi per operare correttamente e in tutta sicurezza. Non fare alcuna azione sulla poltrona in movimento e controllare sempre che la spina d'alimentazione sia scollegata; portare la spina di alimentazione accanto a voi durante l'esecuzione dell'intervento sulla poltrona in modo da poter verificare in qualsiasi momento la separazione effettiva.

9.1 Controlli generali

Verificare costantemente le condizioni generali della poltrona: l'integrità delle protezioni, degli equipaggiamenti elettrici e le condizioni delle imbottiture.



ATTENZIONE! Non utilizzare la poltrona se qualsiasi suo componente dovesse risultare non perfettamente integro o funzionante. In tal caso, mettere la poltrona fuori servizio scollegando la spina di alimentazione e contattare subito un Centro di Assistenza autorizzato.



ATTENZIONE! Non modificare questa apparecchiatura senza alcuna autorizzazione del produttore. Se questa apparecchiatura viene modificata, devono essere condotte ispezioni e test appropriati per garantirne l'uso continuato e sicuro.

9.2. Manutenzione Straordinaria

Qualsiasi intervento di manutenzione straordinaria deve essere eseguito da personale del servizio assistenza tecnica di Brusaferrì & C. o da Centri di Assistenza autorizzati dal fabbricante. Informazioni sui Centri di Assistenza autorizzati a cui rivolgersi possono essere ottenute direttamente dal fabbricante Brusaferrì & C srl – tel 0374/363068-69 – mail: service@lemigroup.it

Per una corretta e veloce risoluzione del problema, è necessario comunicare il modello ed il numero di matricola della poltrona e la descrizione del difetto riscontrato, ovvero quali sono i sintomi visibili e in quali condizioni si verifica.

La poltrona guasta, se in garanzia, dovrà pervenire al Centro Assistenza unitamente al certificato di garanzia, spese di trasporto e carico dell'acquirente.



ATTENZIONE! Ogni forma di garanzia decade qualora vengano effettuati interventi sul lettino da parte di personale non autorizzato da Brusaferrì & C.

9.3. Personale Autorizzato

Gli interventi di riparazione e di manutenzione straordinaria della poltrona possono essere effettuati esclusivamente da personale competente, ovvero di Brusaferrì & C. oppure da essa autorizzato. Informazioni sul personale a cui rivolgersi per eventuali interventi possono essere ottenute direttamente da Brusaferrì & C.

9.4. Pulizia

Ogni volta che effettuate un trattamento, coprite sempre il materasso con salviette o teli monouso prima di far sdraiare il cliente (Vedi §7.2. Uso del materasso).



Prestate particolare attenzione al jeans che può macchiare il rivestimento senza alcuna possibilità di essere rimosso.



Pulire la poltrona prima di ogni utilizzo, prestando particolare attenzione a rimuovere qualsiasi traccia di eventuali liquidi fisiologici del paziente precedente.

Per la pulizia utilizzare un panno e acqua tiepida (eventualmente detersivo neutro diluito). Se necessario, utilizzare un disinfettante non aggressivo, quindi ripassare subito con un panno asciutto e pulito.



Non usare prodotti come: alcool, acetone, candeggina, diluente, benzina.



ATTENZIONE!

- Fare attenzione a non spruzzare liquidi sulle apparecchiature elettriche, sul pedale/pulsantiera e sulle protezioni della poltrona.
- È necessario seguire le istruzioni di manipolazione indicate nelle schede di sicurezza dei detersivi utilizzati.
- Qualora durante le operazioni di pulizia della macchina si creino polveri inalabili, dotarsi di adeguata mascherina di protezione e aerare adeguatamente l'ambiente.
- Utilizzare adeguati dispositivi di protezione individuale

10. IN CASO DI INCIDENTE

Qualsiasi incidente grave verificatosi in relazione al presente dispositivo deve essere immediatamente segnalato al fabbricante e all'autorità competente dello stato membro in cui l'utilizzatore e/o il paziente è stabilito.



ATTENZIONE! Non rimuovere le protezioni in alcun caso; non usare la poltrona se le protezioni sono danneggiate o non correttamente fissate



ATTENZIONE! Non avvicinare gli arti agli elementi in movimento

11. PEZZI DI RICAMBIO

Tutti i pezzi di ricambio devono essere richiesti a Brusaferrì & C. che li fornirà direttamente o darà indicazioni sul luogo in cui possono essere reperiti. Si ricorda che qualsiasi intervento di manutenzione straordinaria deve essere eseguito da personale di Brusaferrì & C. o da esso autorizzato.



ATTENZIONE! Ogni forma di garanzia decade qualora vengano utilizzati pezzi di ricambio diversi da quelli originariamente montati.

12. MESSA FUORI SERVIZIO



Se la poltrona diventa inoperativa oppure non deve essere usata per un periodo di tempo prolungato, si raccomanda di rimuoverlo dal servizio e di estrarre la spina dalla presa. Il lettino è costruito con componenti in acciaio, legno e materie plastiche: quindi gran parte del materiale è efficacemente riciclabile. Tutti i materiali con cui è costruito la poltrona non sono tossici o pericolosi per la salute degli operatori, quindi possono essere maneggiati senza particolari precauzioni. Alla messa fuori servizio della poltrona è opportuno eseguire una separazione dei diversi materiali per successiva riutilizzazione o smaltimento differenziato. Tutti i prodotti elettrici ed elettronici dovrebbero essere smaltiti separatamente, mediante impianti di raccolta specifica designati dal governo o dalle autorità locali.

13. SMALTIMENTO APPARECCHIATURE OBSOLETE



Il corretto smaltimento delle apparecchiature obsolete contribuisce a prevenire possibili conseguenze negative sulla salute umana e sull'ambiente. Per informazioni, contattare il proprio Comune o il Servizio Smaltimento Rifiuti.



- Lo smantellamento della poltrona al termine della sua vita utile deve essere eseguito da personale qualificato, addestrato sul modo corretto di movimentazione e se necessario di mantellamento della poltrona
- Utilizzare solo attrezzature e dispositivi di sollevamento adeguati in conformità con le normative in vigore
- Dovendo smontare la poltrona o spostarla in un altro luogo, si prega di contattare il fabbricante Brusaferrì & C - Italia.

NOTE IMPORTANTI COME PULIRE IL CARTER IN PLASTICA



NON utilizzare assolutamente i seguenti prodotti che potrebbero aggredire il carter, provocando la formazione di crepe e quindi la rottura:

- Agenti sgrassanti a base di solventi quali ad esempio: ACETONE, ALCOOL ETILICO DENATURATO, TRIETILINA, BENZINA, ACQUARAGIA...
- Acidi diluiti in soluzione acquosa (ACIDO CLORIDRICO, ACIDO NITRICO...) e prodotti contenenti acidi diluiti
- Basi diluite in soluzione acquosa (SODA CAUSTICA, IPOCLORITO DI SODIO, AMMONIACA, CANDEGGIANTINA) e prodotti contenenti basi deboli
- Idrocarburi fluorurati (esempio PERDITE DI GAS FRIGORIFERI)
- Oli alimentari (esempio OLIO DI OLIVA, OLIO DI SEMI)
- Oli lubrificanti a base minerale



Per la PULIZIA dei carter consigliamo:

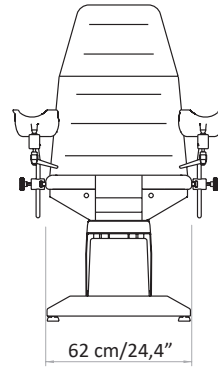
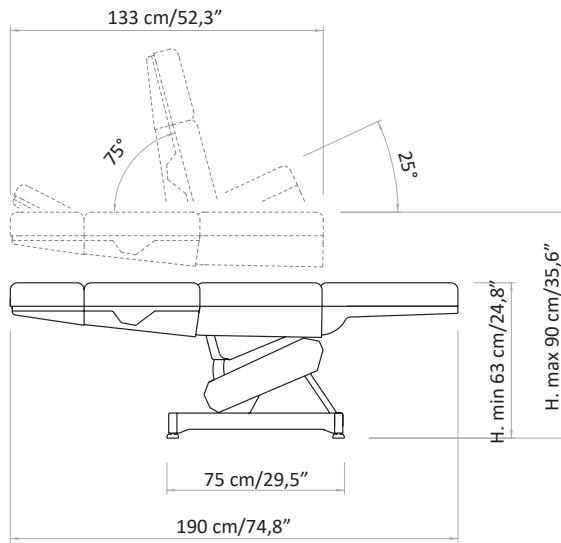
- Acqua saponata
- Acqua e aceto
- Detergente liquido cremoso non abrasivo

Procedere sempre al risciacquo con acqua pulita e asciugatura con panno morbido non abrasivo.

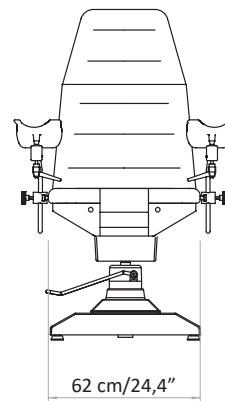
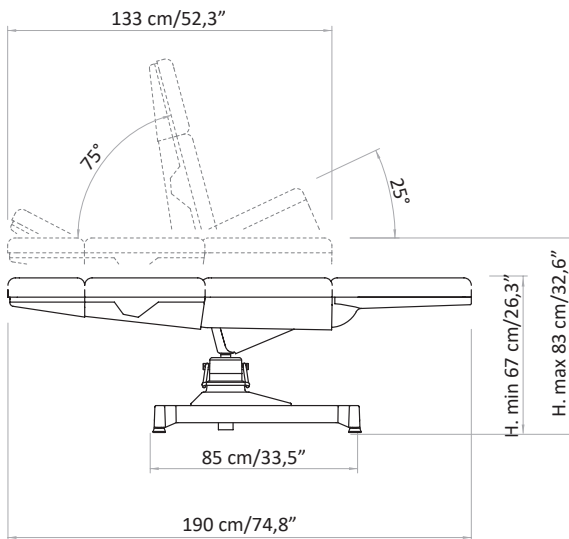
DIMENSIONI

Dimensioni in cm e pollici

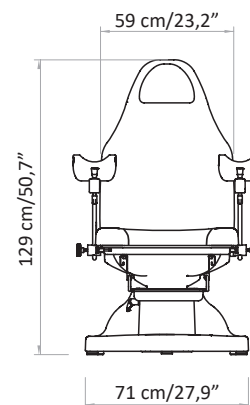
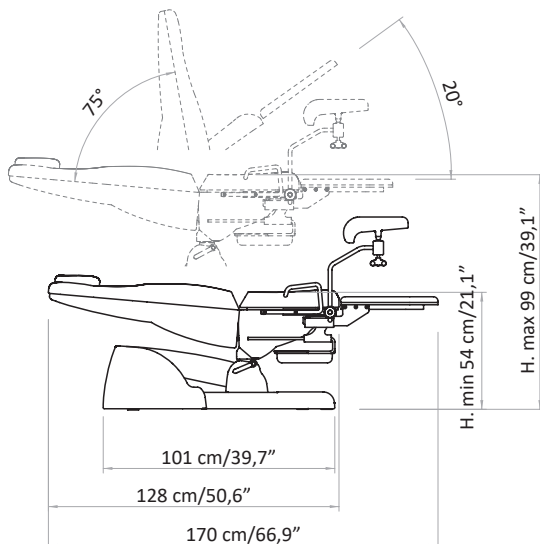
GYNO



HYDROGYNO



GYNO PLUS



1.	INTRODUCTION	_____	pag. 36
2.	TRANSPORT ET INSTALLATION	_____	pag. 37
3.	MILIEU DE FONCTIONNEMENT ET STOCKAGE	_____	pag. 38
4.	VÉRIFICATIONS PRÉLIMINAIRES	_____	pag. 39
5.	DESCRIPTION	_____	pag. 39
6.	ACCESSOIRES SUR DEMANDE	_____	pag. 40
7.	MODALITÉ D'EMPLOIS	_____	pag. 43
8.	UTILISATION	_____	pag. 46
9.	MAINTENANCE	_____	pag. 46
10.	EN CAS D'ACCIDENT	_____	pag. 48
11.	PIECES DE RECHANGE	_____	pag. 48
12.	MISE HORS SERVICE	_____	pag. 48
13.	DÉMANTELEMENT DES APPAREILS OBSOLÈTES	_____	pag. 48
14.	LÉGENDE DE L'ÉTIQUETTE	_____	pag. 67
	DIMENSIONS	_____	pag. 50

Signification des symboles



Le non-respect de cette procédure pourrait causer des dommages à la chaise ou ses parties.



Le non-respect de cette procédure pourrait causer des dommages à la santé ou des blessures à l'opérateur ou aux personnes en proximité de la chaise.

1. INTRODUCTION



Le fonctionnement correct et sûr chaise est assuré uniquement si ceci est utilisé en accord avec les indications fournies par la présente notice et, plus généralement, par la documentation d'accompagnement. C'est pourquoi il est indispensable de lire et de conserver soigneusement l'entière documentation correspondante. Bien qu'étant un chaise doté de sécurités actives et passives, les risques éventuels dus à une mauvaise utilisation ne peuvent pas être évités. Il est nécessaire de s'assurer en permanence que tous les opérateurs ont compris entièrement le mode d'emploi ; nous déclinons toute responsabilité pour des dommages causés à des personnes ou à des biens par une utilisation impropre du chaise. Ne pas ôter ou abîmer les étiquettes, les inscriptions et les avertissements figurant sur les parties du chaise. Dans le cas où il serait nécessaire de les remettre en état, contacter le fabricant. Le fabricant, Brusaferrri & C srl, décline toute responsabilité en cas de non respect des règles de sécurité et des précautions décrites dans les différents chapitres de la présente notice, ainsi que pour les dommages causés par une utilisation impropre. Toutes les interventions sur la chaise (maintenance, réglages, réparations, nettoyage) doivent être effectuées par personnel spécialement formé et suivant les indications de la présente notice.

1.1. Fonction d'utilisation et durée

Les chaises GYNO – HYDROGYNO – GYNO PLUS sont indiqués pour gynécologie, urologie, échographie et colposcopie. La durée de vie estimée de la chaise est de 10 ans.



ATTENTION! Toute utilisation de la chaise différente de l'utilisation décrite dans la présente notice est interdite. Brusaferrri & C. décline toute responsabilité en cas de mauvais fonctionnement ou de dommages à des personnes ou des biens dus à des utilisations différentes de celles qui sont indiquées dans la présente notice.



La chaise doit être utilisé uniquement par du personnel connaissant les modalités d'utilisation, le fonctionnement et les organes de sécurité.

1.2. Preservation du manuel

La présente notice d'utilisation doit être conservée pour toute consultation ultérieure. Nous vous conseillons de:



Conservez le manuel dans un endroit accessible et connu de tous les opérateurs, protégé de l'humidité et de la chaleur et protégé des rayons directs du soleil. Utilisez le manuel pour ne pas endommager une partie du contenu: ne supprimez, déchirez ou modifiez aucune partie du manuel.

En cas de vente ou de transfert de la chaise à une autre personne, ce manuel et ses annexes doivent être livrés intacts aux nouveaux utilisateurs.



ATTENTION! Lire attentivement la présente notice d'utilisation avant d'utiliser la chaise. Toute personne utilisant la chaise doit être suffisamment informée sur le contenu de la présente notice, en particulier sur les parties correspondantes aux opérations qu'elle devra exécuter.

1.3. Etiquetage

La chaise est fournie avec des étiquettes avec les données suivantes, en conformité avec les règles actuelles (voir §14. Légende)



ATTENTION! Il est recommandé de ne pas enlever les étiquettes sur la chaise. Les étiquettes doivent être conservées bien fixées, entières et faciles à lire.



ATTENTION! Les données présentes sur chaque étiquette doivent être signalées en cas de besoin d'assistance ou de pièces de recharge.

1.4. Messages de mise en garde indiqués sur la chaise

La chaise a des notices ou bien des recommandations de mise en garde, qu'il faut absolument lire et comprendre avant d'utiliser l'équipement. A côté de la prise de branchement électrique, il y a l'avertissement contre le risque de chocs électriques. A la hauteur des éléments mobiles il y a l'avertissement jaune "NE PAS METTRE LES PIEDS AU DESSUS – NE PAS METTRE DES OBJETS AU DESSUS" afin d'éviter le risque d'écrasement

2. TRANSPORT ET INSTALLATION

2.1. Déplacement et déballage

La chaise peut être soulevée et déplacée manuellement par deux ou quatre personnes, en tenant par les 4 pieds réglables.



Le poids est de 67 kg.

La chaise est expédiée dans un carton et emballée avec du foam (feuille plastique). Ouvrir le carton pour pouvoir soulever librement la chaise comme indiqué au-dessus; le sortir de son emballage en le soulevant par ses 4 pieds.



ATTENTION!

- Les opérations de manutention et de déplacement doivent être effectuées par un personnel qualifié et formé.
- Il est strictement interdit d'enlever la chaise en la soulevant par le haut (matelas).
- N'utilisez pas de couteaux ou d'emporte-pièces pour ouvrir le carton afin de ne pas risquer d'endommager la chaise et en particulier le matelas.
- Avant d'utiliser la chaise, nettoyez-la entièrement selon la procédure indiquée au § 9.4. Nettoyage

2.2. Nature du sol

Le sol sur lequel la chaise sera posé doit être compact, lisse, horizontal et adéquat à soutenir le poids du chaise et à en garantir la stabilité.

2.3. Éclairage

L'utilisateur doit garantir que l'éclairage des zones de travail soit suffisant pour permettre une bonne visibilité des opérations et de tous les éléments du chaise; le niveau d'éclairage doit être conforme à la norme UNI EN 12464-1 ; en particulier, les zones d'ombre et les éblouissements pénibles devraient être évités.

2.4. Positionnement

La position du chaise par rapport à des obstacles fixes doit être telle qu'elle permet le passage aisé lors de l'utilisation et de la maintenance. En particulier, l'espace minimum qui permet le passage des personnes doit être de 650mm. En particulier, pour éviter l'aplatissement de tout le corps, la distance minimale entre le repose-jambes complètement allongé et le dossier complètement abaissé et tout obstacle fixe doit être de 500mm (UNI EN 349:2008)

2.5. Réglage du niveau

La chaise est pourvu de 4 pieds réglables qui permettent d'ajuster parfaitement son niveau et de compenser d'éventuelles imperfections du sol. Le réglage des pieds peut être effectué simplement en les vissant ou en les dévissant.

2.6. Alimentation Électrique

L'installation électrique de l'endroit doit avoir une tension et une fréquence correspondantes à la tension et à la fréquence nominales d'alimentation du chaise et être adaptée à la puissance de l'installation, comme indiqué sur la plaque d'identification figurant sur la chaise elle-même.

Voltage	100 V / 240 V
Fréquence	50/60 Hz
Absorption	4 Amax (1,7 A)
Alimentation	Courante CA Une phase L+N
Cycle de fonctionnement	2 min ON / 18 min à 10% maximum
Protection IP	IP54

Boiter électrique classe II

L'alimentation électrique doit être raccordée au chaise par une ligne:

- Protégée des surtensions grâce à un interrupteur automatique (magnétothermique) ou des fusibles ; le courant déclenchant les protections doit être le plus bas possible, compte tenu de l'absorption maximum du chaise.
- Dotée d'un dispositif sensible aux problèmes d'isolation (différentiel), ayant une valeur de déclenchement suffisamment basse; un tel dispositif doit être installé en aval du dispositif de protection contre les surtensions (ou y être intégré).
- Ayant des câbles de section adéquats à la puissance absorbée par la chaise.



La chaise doit être reliée à **un circuit de protection équipotentiel externe adapté (mise à la terre)**.

2.7. Branchements

ALLUMER (ON): Insérer la fiche dans une prise électrique adéquate. S'il y a incompatibilité entre la prise et la fiche de la chaise, faire changer la prise avec le modèle désiré par du personnel qualifié.

FERMER (OFF): Enlever la fiche de la prise.



ATTENTION! Tirez en saisissant LA FICHE, PAS LE CÂBLE



ATTENTION! Il est vivement recommandé d'insérer la fiche d'alimentation à une prise unique réservée exclusivement à la chaise. On déconseille l'utilisation de prises multiples, adaptateurs et rallonges. Le câble électrique ne doit pas être plié.



ATTENTION! Avant de brancher l'alimentation, il faut absolument s'assurer que le câble n'est pas plié, enroule et que la gaine est intacte.





ATTENTION! La chaise doit être positionnée de façon à faciliter le débranchement de la prise électrique.



ATTENTION! Pour éviter le risque de choc électrique, l'appareil doit être branché exclusivement à des réseaux d'alimentation avec mise à la terre.

3. MILIEU DE FONCTIONNEMENT ET STOCKAGE

La chaise a été conçue pour fonctionner dans un milieu clos et sec. Les conditions du milieu de fonctionnement sont:

- Température : de 5° à 40 °C 
- Humidité : de 30% à 75 % sans condensation. 

Dans le cas où les conditions de milieu sont particulièrement critiques, on conseille d'équiper l'endroit avec du matériel capable de ramener les valeurs de l'humidité et de la température dans la fourchette acceptable.



ATTENTION! Ne pas exposer la chaise à une atmosphère particulièrement humide. Si la chaise devrait être mouillée, il est recommandé d'extraire la prise électrique et de faire contrôler la chaise par un organisme compétent.



AVERTISSEMENT! La chaise n'a pas été conçue pour être utilisée dans des environnements avec des atmosphères explosives, en présence de poudres minces ou de gaz corrosifs, d'acides, d'agents corrosifs, de sel. Il n'est pas recommandé d'utiliser la chaise en présence de radiations ionisantes et non ionisantes (rayons X, laser, micro-ondes, rayons ultraviolets).



- Non destiné à être utilisé dans des environnements riches en oxygène.
- Non destiné à être utilisé avec des anesthésiques inflammables ou en conjonction avec des agents inflammables.



STOCKAGE! Pour le bon fonctionnement de l'équipement électrique, le stockage de la chaise doit se faire à une température comprise entre -25° C et + 55° C, et seulement pendant de courtes périodes ne dépassant pas 24 heures, à + 70° C. La chaise n'a pas d'exigences spéciales pour le stockage, à condition qu'elle se déroule dans des pièces fermées et dèches; cette condition devrait également être assurée pendant toutes les phases du transport.

4. VÉRIFICATIONS PRÉLIMINAIRES



Avant de mettre en marche la chaise, il faut s'assurer que :

- elle ne présente aucun dommage résultant du transport ou déménagement; contacter le fabricant Brusaferrri & C. pour résoudre ces inconvénients;
- tous les emballages (boîte en carton, foam, plastique) ont été enlevés;
- la tension de votre cabine est la même que celle indiquée à la section 2.6 Alimentation électrique;
- tous les dispositifs de commande (électriques ou manuels) fonctionnent correctement.



- Pour l'installation, veuillez contacter uniquement le personnel qualifié.
- Avant la mise en service de la chaise elle-même, faire quelques test de fonctionnement à vide, en conditions de sécurité, par du personnel qualifié.

5. DESCRIPTION

GYNO



HYDROGYNO



GYNO PLUS

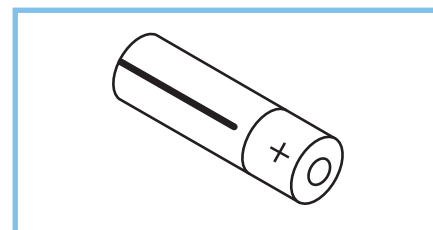


6. ACCESSOIRES SUR DEMANDE

6.1. Pédale Wireless (sans fil)

Si la chaise est équipée avec la pédale wireless, il faut bien suivre les instructions au § 7.3. Commandes pour l'installation et la correcte utilisation.

La commande à pied wireless fonctionne avec deux piles AAA: dévisser les deux vis de la plaquette qui se trouve sur la partie supérieure de la pédale pour remplacer les piles.



6.2. Roulettes

Les 4 roulettes avec frein (\varnothing 50mm) doivent être placées à la place des petits pieds.



ATTENTION! TOUJOURS bloquer le frein de chaque roulette avant que le patient s'assoit sur la chaise.

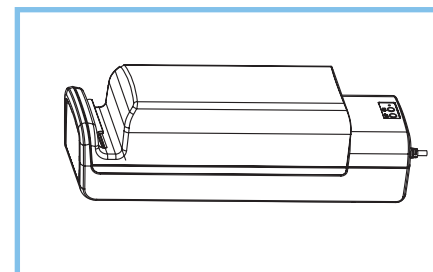


6.3. Batterie (SEULEMENT pour GYNO PLUS)

La batterie (5.0Ah capacité) est double fonction:

AUXILIAIRE: la batterie permet d'utiliser la chaise en cas de panne électrique

BATTERIE: la batterie seule permet d'utiliser la chaise sans le brancher le câble alimentation



ATTENTION! La batterie doit être connectée à la base du fauteuil par un technicien : il faut soulever la base en plastique et brancher au boîtier de commande déjà installé.

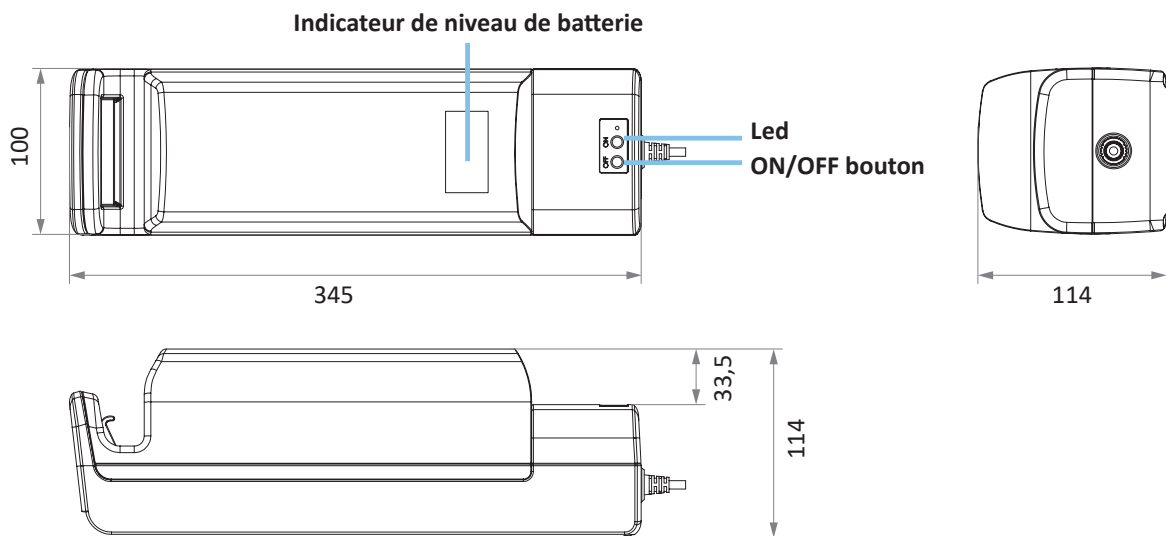


ATTENTION! Avant d'utiliser la table, chargez la batterie pendant 24 heures en continu et vérifiez l'état de charge (voyant vert).



ATTENTION! La batterie:

- ne doit pas être trempée dans un liquide
- ne doit pas être stockée dans un lieu exposé à la chaleur
- doit être jetée dans un des points de vente de votre revendeur ou chez un spécialiste du recyclage
- doit être réparée dans un Centre autorisé
- doit être chargée dans un chargeur certifié



6.4. Usage

BOUTON	UTILISATION	FUNCTION
ON	Presser 1 sec	Allumer
OFF	Presser 3 sec	Déteindre

6.5. Specifications techniques

MODÈLE - BATTERIE AU PLOMB	
Capacité de la batterie	5.0Ah
Absorption du chargeur	1A - 110W (power:110V) / 220W (power: 220V)
Input	29~45V DC
Output	24V DC, 5.0A
Cycle de travail	2 minutes ON / 18 minutes OFF
Temperature	5~45°C
IP rating	Up to IP54
Dimensions	345x100x114 mm
Poids net	4.4 kg
ON & OFF	Oui

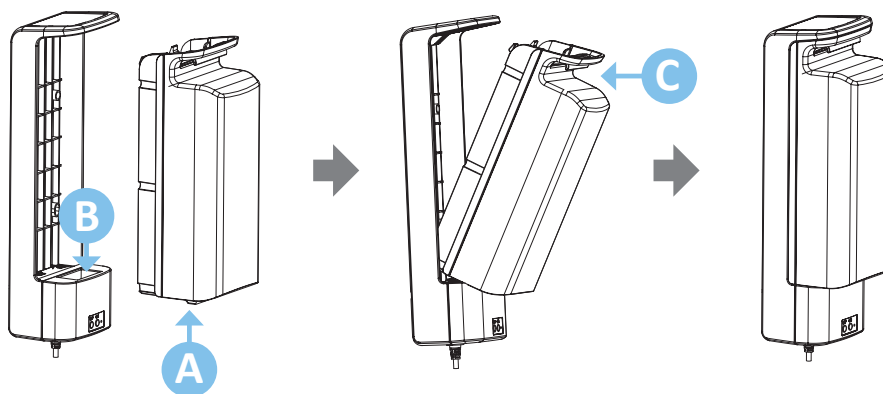
6.6. État de la batterie

STATUS	NIVEAU	LED
Haut	100% - 25%	Vert - Fix
Bas	25% - 20%	Orange - Clignotant
Faible	<20%	Off
Anomalie	-	Orange - Fix

6.7. Installation et remplacement batterie

— **INSTALLATION:** insérer la partie A dans le trou B et presser jusqu'à la batterie est bloquée. Ensuite, PRESSER LE BOUTON ON (voir 6.2) pour l'activer.

— **REPLACEMENT:** to remove the battery, press the lever (C) and pull outward as shown.



6.8. Maintenance

La batterie doit être chargée d'une manière continue pour 24H:

- À la première utilisation
- Après 6 mois de ferme



ATTENTION! LE CHARGEUR DE BATTERIE (100/240 V) NE DOIT ABSOLUMENT ENTRER EN CONTACT AVEC DE L'EAU. Nous vous suggérons donc de le placer À L'EXTÉRIEUR DE LA CABINE ou en tout cas le plus loin possible de l'eau.

6.9. Accessoires

Accessoires	Position des barres	Étaux pour la fixation
Support talon	Assise	Fixes
Support pieds (Gyno Plus)	Assise	Fixes
Accoudoirs médicaux	Dossier	Pivotants
Accoudoirs automatiques (Gyno Plus)	Dossier	-----
Support drap	Dossier	Pivotants
Tige phlébo	Dossier	Pivotants
Plateau inox	Assise	Fixes
Colposcope	-----	-----

Insérez les étaux dans les guides et les accessoires dans les pinces en dévissant ou en vissant la poignée. En ce qui concerne les repose-cuisses / talons / pieds et le plateau en acier inoxydable, une fois correctement fixés, vous pouvez faire pivoter les poignées sans desserrer les pinces, simplement en tirant les poignées vers soi et en les positionnant de manière à ce qu'elles ne causent pas de gêne lors de l'utilisation de la chaise.

6.10. Rotation (SEULEMENT pour GYNO et GYNO PLUS)

La partie supérieure de la chaise peut tourner 180° (90° droite et 90° gauche). Pour tourner la chaise, dévisser la manette qui se trouve sous l'assise et visser (en sens horaire) une fois que la chaise est dans la position souhaitée.



6.11. Support Jambes amovible

Insérer le support jambes dans la prédisposition sous l'assise.



7. MODALITÉS D'EMPLOI

7.1. Opérateur

Les fauteuils Gyno et Gyno Plus peuvent être contrôlés par un opérateur avec la pédale (ou la télécommande à mains); tandis que l'Hydrogyno est contrôlé manuellement par l'opérateur; l'opérateur doit se positionner de façon à avoir une vision complète des parties contrôlées et du patient.



ATTENTION! Pendant le fonctionnement, l'opérateur doit toujours rester près des dispositifs de commande; il est interdit de laisser la chaise sans surveillance pendant son fonctionnement.



Les opérateurs doivent faire attention à éviter de créer des situations potentiellement dangereuses, pour leur propre sécurité ou celle d'autrui.



Toutes les personnes travaillant sur la chaise doivent être correctement formées aux bonnes méthodes de travail et informées de son bon fonctionnement. Ils doivent également connaître les parties de cette documentation pertinentes pour leur travail.



Les opérateurs ne doivent pas porter de vêtements avec des rideaux qui pourraient être happés par une partie mobile de la chaise. Les vêtements appropriés sont faits de vêtements ajustés, en particulier sur les membres supérieurs.



Ni l'opérateur ni le patient ne doivent porter de bagues, de colliers, de bracelets, de montres-bracelets, d'attaches ou d'autres objets susceptibles d'être happés par des pièces mobiles de la machine.

En cas d'allergie, recouvrez la chaise d'une feuille.
L'opérateur doit se tenir en position pour contrôler la chaise ainsi que le patient

7.2. Utilisation des matelas



IMPORTANT! Il est obligatoire de couvrir et de protéger le matelas avec des couvertures en papier jetables ou des housses éponge lavables (mieux si éponge+PVC) pour une conservation correcte et hygiénique. Le revêtement pourrait être endommagé par la chaleur normale de la peau ou par une utilisation prolongée d'huiles essentielles ou alcool. Tout remplacement provoqué par des dommages dus à une mauvaise utilisation ne sera pas pris en compte dans le cadre de la garantie.

7.3. Fonctionnement (GYNO and GYNO PLUS)

La chaise peut être contrôlée par une pédale avec câble, une pédale sans fil, ou une élécommande à main. Toutes les commandes ne fonctionnent que lorsqu'elles sont activées: le mouvement de la chaise s'arrête dès que l'opérateur relâche le bouton / pédale, à l'exception de l'AUT (retour automatique à la position initiale) qui peut être arrêté en appuyant sur n'importe quel bouton / pédale.



L'opérateur doit utiliser les commandes seules (pédales ou télécommande) pour régler la chaise.

PÉDALE AVEC CÂBLE / WIRELESS (GYNO - GYNO PLUS)

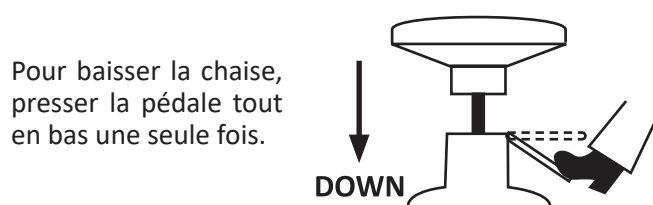
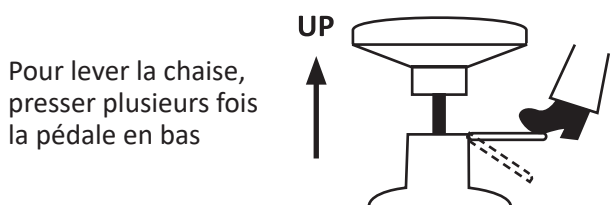
Pédale 1: Relevage de la chaise
Pédale 2: Descente de la chaise
Pédale 3: Relevage du dossier
Pédale 4: Descente du dossier
Pédale 5: Soulèvement trendelenburg
Pédale 6: Abaissement trendelenburg
Pédale M1: Position mémoire 1
Pédale M2: Position mémoire 2
Pédale AUT: Retour automatique à la position chaise pour faciliter l'accès ou la descente du patient
Pédale END: Retour automatique de la table à la position initiale (horizontal et complètement baissé)

Une fois le traitement est terminé, avant que le patient se lève, positionner la chaise dans sa position initiale en appuyant sur le bouton / pédale AUT.

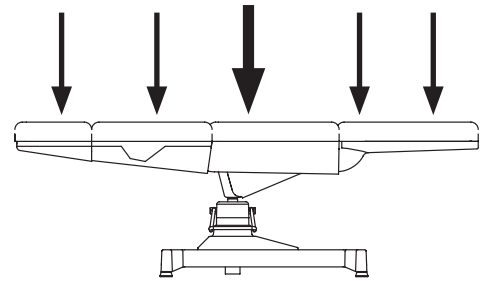
COMMANDE À MAIN (GYNO - GYNO PLUS)

Bouton A: Relevage de la chaise
Bouton A1: Descente de la chaise
Bouton B: Relevage du dossier - Descente de la jambière (simultanée)
Bouton B1: Descente du dossier - Relevage de la jambière (simultanée)
Bouton C: Soulèvement trendelenburg
Bouton C1: Abaissement trendelenburg
Bouton AUT: Retour automatique à la position chaise pour faciliter l'accès ou la descente du patient
Bouton M1: Position mémoire 1

7.4. Hauteur et Descente (seulement HYDROGYNO)



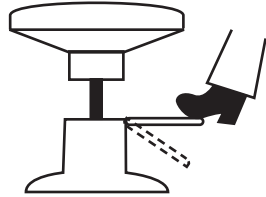
Pour assurer une descente de la chaise régulière, le poids du patient doit être bien placé comme dans la figure ci-dessous.



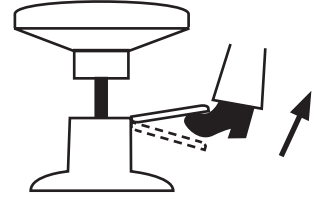
7.5. Rotation de la chaise (seulement pour HYDROGYNO)

La partie supérieure de la chaise peut tourner 360°

Lever la pédale pour bloquer la rotation et fixer la position.



Pour tourner la chaise, presser en bas la pédale une seule fois : la rotation se débloque.



ATTENTION! Avant de se placer sur la chaise, toujours vérifier que la manette basculant soit bien fermée pour éviter risque de chute.

7.6. Réglage de la tête (SEULEMENT pour GYNO et GYNO PLUS)

Pour ajuster l'inclinaison de la tête, appuyez sur la poignée sous le dos (push).



7.7. Réglage support cuisse

- pour lever/baisser : tourner la manette de l'étau
- pour régler l'inclinaison : tourner la vis papillon placée sous le support cuisse

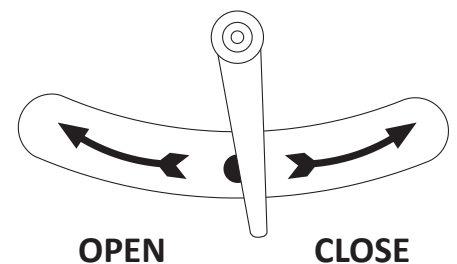


7.8. Réglage basculant (seulement HYDROGYNO)

Tourner la manette en sens antihoraire (OPEN), régler la position et tourner en sens horaire pour fixer (CLOSE).



ATTENTION! Avant de se placer sur la chaise, toujours vérifier que la manette basculant soit bien fermée pour éviter risque de chute.

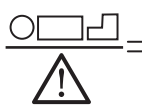



7.9. Réglage dossier (SEULEMENT pour HYDROGYNO)

Soutenir le coussin du dossier et régler à l'aide du levier dossier.



8. UTILIZZO

 = 200 kg (poids maximal du patient)
150 kg (poids maximal du patient pour Hydrogyno)

 = 2500 N (charge de sécurité)
2000 N (charge de sécurité pour Hydrogyno)



Sur la chaise, une seule personne peut s'asseoir; la personne doit monter / descendre quand la chaise est dans la position de base en montant sur l'assise.



ATTENTION! S'installer sur la chaise en s'asseyant toujours bien sur la partie centrale de l'assise. Ne pas s'asseoir ou s'appuyer sur les accoudoirs ou sur la tête.



ATTENTION! Les membres du client doivent toujours être sur la chaise. L'opérateur doit toujours avertir le client avant d'actionner la chaise.



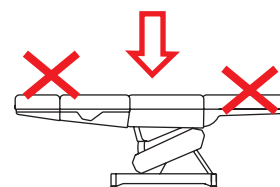
ATTENTION! Veiller à ce que la chaise ne soit pas mouillée et qu'aucun liquide ne coule au-dessus; essuyer immédiatement tout liquide (y compris d'éventuels liquides physiologiques du client) qui pourraient se renverser sur la chaise.



ATTENTION! Si un patient est laissé seul pendant une courte période, il est nécessaire de placer la chaise dans la position la plus basse par rapport au sol, afin de réduire le risque de chute



Pour éviter le risque d'électrocution, ne pas brancher ni débrancher la fiche électrique avec les mains mouillées. Ne pas utiliser la chaise à pieds nus.



9. MAINTENANCE

La chaise a été conçue et construite de façon à réduire autant que possible la maintenance nécessaire et assurer un bon fonctionnement sans problème pendant des années.

Pour toute intervention sur la chaise, veuillez suivre les indications figurant dans le présent chapitre.



ATTENTION ! Toutes les interventions sur la chaise doivent être effectuées par du personnel compétent et formé aux techniques pour intervenir correctement et en toute sécurité. N'effectuer aucune intervention sur la chaise en mouvement et vérifier systématiquement que la prise d'alimentation électrique soit débranchée; garder la fiche électrique près de soi pendant l'intervention sur la chaise.

9.1. Contrôles générales

Vérifier régulièrement les conditions générales de la chaise: l'intégrité des protections, des installations électriques et les conditions de la tapisserie.



ATTENTION! Ne pas utiliser la chaise dans le cas où un seul composant devrait résulter pas intègre ou défectueux. Dans ce cas-là, mettre la chaise hors service en débranchant la fiche de l'alimentation et contacter tout de suite un Service Après-Vente autorisé.



ATTENTION! Ne modifiez pas cette chaise sans l'autorisation du fabricant. Si cette chaise est modifiée, une inspection et des essais appropriés doivent être effectués pour assurer son utilisation en toute sécurité.

9.2. Maintenance Exceptionnelle

Toute opération de maintenance exceptionnelle doit être effectuée par un professionnel du Service Technique de Brusaferrri & C. ou bien par des Centres d'Assistance agréés par le fabricant.

Pour toute information au sujet des Centres d'Assistance agréés, s'adresser directement au fabricant Brusaferrri & C srl – tél.+39/0374/363068-69 – mail: service@lemigroup.it

Pour une résolution efficace et rapide du problème, il est nécessaire d'indiquer le modèle et le numéro de série de la chaise, ainsi que le problème rencontré, ou bien quels sont les symptômes visibles et dans quelles conditions ceux-ci surviennent. La chaise en panne, dans le cas où il est en garantie, devra parvenir au Centre d'Assistance accompagné du bon de garantie. De toute façon les frais d'expédition sont à la charge du client.



ATTENTION ! Toute forme de garantie tombe en cas d'intervention de personnel non autorisé par Brusaferrri & C.

9.3. Personnel autorisé

Les réparations et l'entretien de la chaise peuvent être effectués exclusivement par un personnel compétent, c'est-à-dire Brusaferrri & C. ou autorisé par elle. Les informations sur le personnel à contacter pour des interventions possibles peuvent être obtenues directement auprès de Brusaferrri & C.

9.4. Nettoyage

Couvrir le matelas avec des serviettes ou une feuille de papier jetable pour chaque traitement avant que le client s'allonge sur la chaise (voir §7.2. Conservation et emplois du matelas).



Faire attention en particulier au jeans qui peut tacher le revêtement en manière irrévocable.



Avant chaque traitement, essuyer immédiatement tous liquides qui pourraient finir sur la chaise.

Pour le nettoyage utiliser un chiffon et de l'eau tiède (éventuellement un produit de nettoyage neutre dilué). Si nécessaire, utiliser un désinfectant non agressif, ensuite essuyer immédiatement avec un chiffon souple, sec et propre.



Ne pas utiliser de produits contenant Alcool, Acétone, Diluant, Eau de javel, Essence.



ATTENTION!

- **Ne pas pulvériser de liquides sur les équipements électriques, sur la pédale / télécommande et sur les protections de la chaise.**
- **Vous devez suivre les instructions de manipulation indiquées dans les fiches de données de sécurité du détergents utilisés.**
- **Pendant l'opération de nettoyage de la chaise, si des poudres d'inhalation sont produites, utiliser un dispositif de protection approprié et aérer correctement la cabine.**
- **Utilisez des dispositifs de protection individuels appropriés**

10. EN CAS D'ACCIDENT

Le fabricant ainsi que les Autorités de compétence doivent être informés immédiatement de tout incidents résultant de l'utilisation de ce dispositif.



ATTENTION! Ne pas retirer les protections dans tous les cas. N'utilisez pas la chaise si les protections sont endommagées ou mal fixées.



ATTENTION! Ne placez pas les membres près des parties mobiles de la chaise

11. PIÈCES DE RECHANGE

Toutes les pièces de rechange doivent être demandées à Brusaferrì & C. qui les fournira directement ou donnera des indications sur l'endroit où celles-ci sont disponibles. On rappelle que toute intervention de manutention exceptionnelle doit être effectuée par du personnel Brusaferrì & C. ou autorisé par elle.



ATTENTION ! Toute forme de garantie tombe en cas d'utilisation de pièces de rechange différentes des pièces montées à l'origine sur la chaise.

12. MISE HORS SERVICE



Si la chaise devient inutilisée ou bien ne doit pas être utilisée pendant une longue période, il est recommandé de le mettre hors service et d'extraire la fiche de la prise électrique. Cette chaise est construite avec des composants en acier et des matières en plastiques : donc, une grande partie des matériaux employés est recyclable. Aucun des produits avec lesquels la chaise est construite n'est toxique ou dangereux pour la santé des opérateurs. Ils peuvent donc être manipulés sans précaution particulière. À la mise hors service de la chaise, il convient de séparer les différents matériaux pour une réutilisation ultérieure ou tri-sélective. Il faut éliminer tous les produits électriques et électroniques séparément, selon les instructions de votre Municipalité ou l'Autorité Locale.

13. DÉMANTELEMENT DES APPAREILS OBSOLÈTES



Le correct démantèlement des appareils obsolètes contribue à éviter de possibles impacts sur la santé humaine et sur l'environnement. Pour toute information, contacter la Municipalité ou le Service de traitement déchets.



- Le démontage de la chaise à la fin de sa vie fonctionnelle doit être effectué par des personnel formé sur la manière correcte de manipuler - et si nécessaire de démantèlement la chaise.
- N'utilisez que des équipements et des appareils de relevage adaptés conformément à la réglementation nationale en vigueur.
- Avant de démonter la chaise ou la déplacer dans un autre endroit, veuillez contacter le fabricant Brusaferrì & C - Italie.

AVIS IMPORTANT

COMMENT NETTOYER LA COUVERTURE EN PLASTIQUE ABS



Il est interdit d'utiliser les produits suivants qui pourraient gravement endommager le revêtement plastique, provoquer des fissures et la rupture suivante:

- Agents de dégraissage à base de solvant: par ex. ACETONE, ALCOOL ETHYLIQUE DENATURE, TRICHLORÉTHYLENE, CARBURANT, TURPENTINE ...
- Acides dilués (ACIDE HYDROCLORIDRIQUE, ACIDE NITRIQUE) ou produits contenant des acides dilués
- Bases diluées (SODA CAUSTIQUE, HYPOCHLORITE DE SODIUM, AMMONIAQUE, EAU DE JAVEL) ou produits contenant des bases faibles
- Hydrocarbures fluorés (par exemple, FUITES DE GAZ RÉFRIGÉRANT)
- Huiles de qualité alimentaire (par exemple HUILE D'OLIVE, HUILE DE GRAINES)
- Huiles lubrifiantes à base de minéraux



Pour NETTOYER les revêtements, nous recommandons:

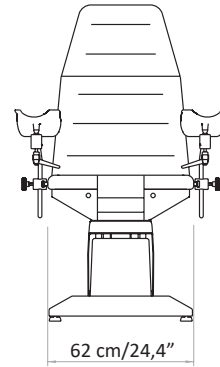
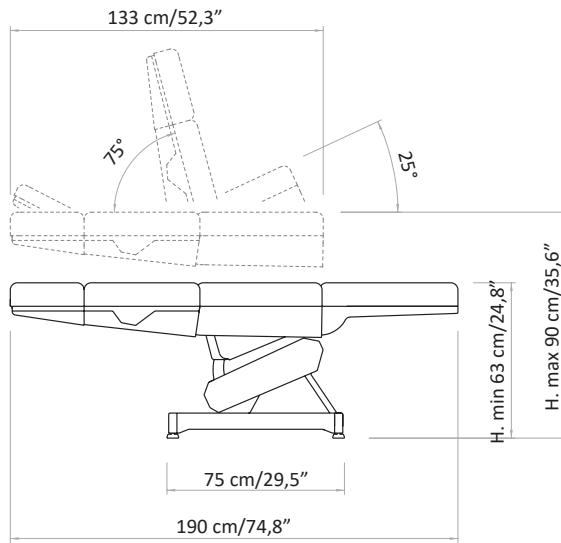
- Eau de savon
- Eau et vinaigre
- Détergent en crème non abrasive

Toujours rincer à l'eau propre et sécher avec un chiffon doux et non abrasif.

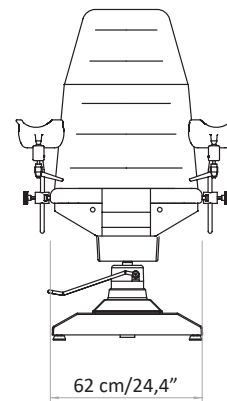
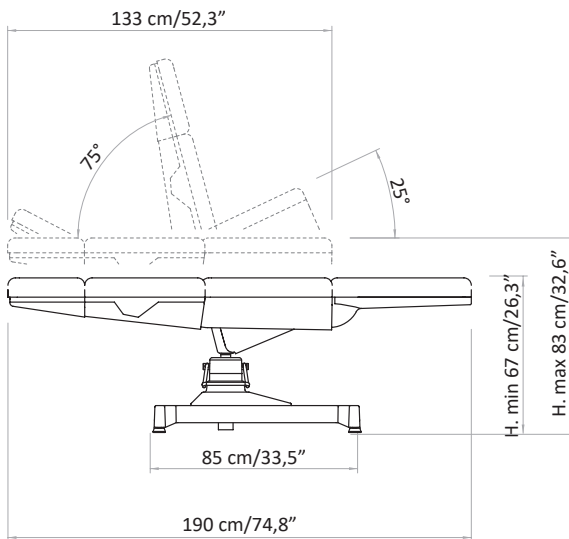
DIMENSIONS

Mesures en cm et inches

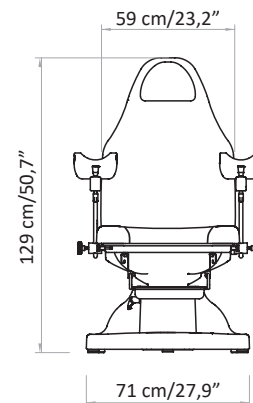
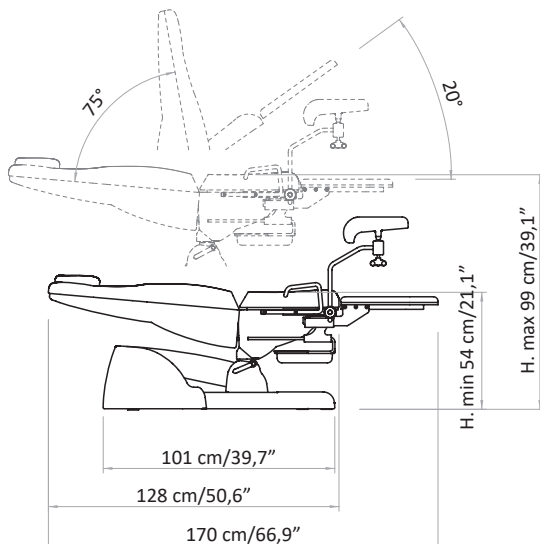
GYNO



HYDROGYNO



GYNO PLUS



1.	EINFÜHRUNG	_____	pag. 52
2.	LIEFERUNG UND INSTALLATION	_____	pag. 53
3.	LAGERUNG UND FUNKTIONSBEDINGUNGEN	_____	pag. 54
4.	KONTROLLEN BEVOR DEN ERSTEN GEBRAUCH	_____	pag. 55
5.	BESCHREIBUNG DER LIEGE	_____	pag. 55
6.	ZUBEHÖRE NACH ANFRAGE	_____	pag. 56
7.	BEDIENUNGSANLEITUNG	_____	pag. 59
8.	LIEGEBENUTZUNG	_____	pag. 62
9.	WARTUNG	_____	pag. 62
10.	IM FALLE EINES UNFALLS	_____	pag. 64
11.	ERSATZTEILE	_____	pag. 64
12.	AUSSERBETRIEBNAHME	_____	pag. 64
13.	ENTSORGUNG VON ALTGERÄTE	_____	pag. 64
14.	LABEL LEGENDE	_____	pag. 67
	AUSSENMASS	_____	pag. 66

Symbolesbedeutung



Die Nichteinhaltung dieses Verfahrens kann zu Schäden am Stuhl oder seinen Teilen führen.



Die Nichteinhaltung dieses Verfahrens kann zu Gesundheitsschäden oder Verletzungen des Anwenders oder der Personen in der Nähe des Stuhls führen

1. INTRODUCTION



Der erfolgreiche und sichere Betrieb des Stuhles ist nur gewährleistet, wenn es in Übereinstimmung mit den Spezifikationen in diesem Handbuch verwendet wird und, im Allgemeinen, die beigefügten Unterlagen, so ist es wichtig, sorgfältig zu lesen und behalten alle bezügliche Dokumentation. Obwohl die Liege mit aktiven und passiven Sicherheitsvorrichtungen versehen ist, können nicht alle Risiken aufgrund ihrer falschen Verwendung vermieden werden. Sie müssen immer darauf achten, dass alle Benutzer vollständig die Regeln der Benutzung verstanden haben; der Hersteller lehnt jegliche Verantwortung für Schäden an Personen oder Sachen ab, die durch unsachgemäße Verwendung des Gerätes resultieren. Nicht entfernen oder beschädigen die Etiketten, Warnungen und Schriften auf den Seiten des Stuhles gelegten. Falls sie wiederherstellen möchten, wenden Sie sich an den Hersteller. Der Hersteller Brusaferrri & C. lehnt jegliche Verantwortung für die Nichteinhaltung der Regeln der Sicherheit und Prävention beschrieben in den verschiedenen Abschnitten dieses Handbuch und für Schäden, die durch unsachgemäßen Gebrauch verursacht sind. Alle Arbeiten auf dem Stuhl (Wartung, Verstellungen, Reparaturen, Reinigung) müssen von entsprechend geschultem Personal durchgeführt werden und in Übereinstimmung mit dem, was in diesem Handbuch angegeben ist.

1.1. Destination of use and lifetime

1.1. Verwendungsbestimmung

Die Stühle GYNO - HYDROGYNO - GYNO PLUS eignen sich für Diagnostik, gynäkologische, urologische Ultraschalluntersuchungen und kolposkopische Untersuchungen. **Die geschätzte Lebensdauer für diesen Stuhl beträgt 10 Jahre.**



ACHTUNG! Es ist verboten, jegliche Verwendung der Liege anders als das in diesem Handbuch beschrieben, Brusaferrri & C. lehnt jede Verantwortung für Fehlfunktionen oder Schäden an Personen oder Sachen ab, die durch andere als die in diesem Handbuch beschriebenen Anwendungen verursacht sind.



Der Stuhl sollte nur von Fachpersonal kompetent zur Verwendung, Bedienung und Sicherheitsausrüstung verwendet werden.

1.2. Erhaltung des Handbuchs

Diese Betriebsanleitung muss für jede zukünftige Referenz gehalten werden. Wir empfehlen Ihnen:



Halten Sie das Handbuch an einem Ort zugänglich und bekannt für alle Anwender, geschützt vor Feuchtigkeit und Hitze nicht bei direkter Sonneneinstrahlung. Verwenden Sie das Handbuch, um nicht irgendeinen Teil des Inhalts zu beschädigen: nicht entfernen, reißen oder kein Teil dieser Information ändern.

Im Falle der Verkauf oder die Übertragung auf eine andere Person des Stuhles, sollte dieses Handbuch und zugehörigen Dokumente intakt auf den neuen Benutzer geliefert werden.



ACHTUNG! Lesen Sie diese Bedienungsanleitung vor der Verwendung der Liege. Jeder, der den Stuhl richtig verwendet, sollte angemessen informiert werden, auf die Teile dieser Bedienungsanleitung relevant für die Operationen, die er durchführen muss.

1.3. Etikettierung der Stuhl

Auf der Etikette dieses Stuhls finden Sie die folgenden Daten, passend zu den aktuellen Normen (siehe § 14. Label Legende)



ACHTUNG! Es wird empfohlen, die Etiketten nicht zu ersetzen. Die Etiketten müssen unbeschädigt und mit einer optimaler Lesbarkeit bleiben



ACHTUNG! Alle Daten, die auf der Etikette stehen, müssen für jeden Bedarf von Wartung oder Ersatzteile mitgeteilt werden.

1.4. Aufmerksamkeitanmerkungen auf dem Stuhl

Der Stuhl hat einige Anmerkungen mit Warnungssätzen oder Symbolen, man muss diese Noten sehr gut lesen und verstehen. Bei dem Stecker der Eingang des elektrischer Strom, gibt es das Symbol gegen die gefahr von Stormschlag. Bei den beweglichen Teile des Stuhles gibt es die Anweisungen "Die Füße oder Objekte nicht stellen" (DON'T PUT YOUR FEET ON – DON'T PUT OBJECTS ON) wo der Stuhl sich bewegt, um die Gefahr von Zerquetsche zu vermeiden.

2. LIEFERUNG UND INSTALLATION

2.1. Transport und Befestigung der Verpackung

Der Stuhl kann aufgehoben und manuell von zwei oder vier Personen bewegt werden, halten Sie diese ausschließlich für die 4 Stützfüße.



Das Gewicht der Liege beträgt 68 kg.

Der Stuhl wird in einem Karton verpackt und geliefert. Öffnen Sie das, damit Sie frei die Liege heben können; entfernen Sie es von der Verpackung, nehmend es von die 4 Stützfüße und ziehen Sie es nach oben.



ACHTUNG!

- Handhabungs- und Bewegungsvorgänge müssen von qualifiziertem und angewiesenem Personal durchgeführt werden
- Es ist strengstens verboten, den Stuhl durch Heben von oben (Polster) zu entfernen
- Verwenden Sie keine Messer oder Cutter, um die Schachtel zu öffnen, um nicht eine Beschädigung der Liege und insbesondere der Polsterung zu riskieren
- Bevor Sie den Stuhl benutzen, reinigen Sie ihn vollständig gemäß dem unter §9.4 gezeigten Verfahren

2.2. Fußboden

Der Fußboden, auf dem den Stuhl gelegt wird, muss feste, glatte, horizontale und angemessen sein, um das Gewicht zu unterstützen und um die Stabilität zu gewährleisten.

2.3. Beleuchtung

Der Benutzer muss sicherstellen, dass die Beleuchtung der Arbeitsbereiche ausreichend ist, um eine gute Sicht auf die Aktionen und alle Elemente den Stuhl zu ermöglichen, sollte die Beleuchtungsstärke in Übereinstimmung mit der UNI EN 12464-1 sein, insbesondere müssen Schatten und störende Blendungen vermieden werden.

2.4. Positionierung

Die Position des Stuhles muss so sein, dass ein leichten Durchgang für die Nutzung und Wartung zu ermöglichen ist, insbesondere der Mindestabstand um den Durchgang von Personen zu erlauben, muss gleich bis 650 mm. sein (nach UNI EN 349:2008) um zerquetschung des ganzen Körpers zu vermeiden, den Mindestabstand muss gleich 500 mm. sein, zwischen die Beine vollständig gestreckt und die Rückenlehne ganz abgesenkt.

2.5. Gleichschaltung

Der Stuhl hat vier verstellbare Füße, die den Stuhl perfekt ausrichten lassen und eventuelle Mangeln der Boden zu abgleichen. Die Verstellung der Füße kann durch eine Abschrauben oder eine Verschrauben einfach gemacht werden.

2.6. Stromversorgung

Die Versorgungsanlage muss Spannung und Frequenz gleich der Spannung und Nennfrequenz des Geräts haben, und entsprechend der installierten Leistung sein, wie auf dem Typenschild des Stuhles angegeben.

Spannung	100 V / 240 V
Frequenz	50/60 Hz
Kraft / Absorption	4 Amax (1,7 A)
Energieversorgung	Wechselstrom (AC) Eine Phase L+N
Auslastungsgrad	2 min / 18 min bei maximal 10 %
IP Protection	IP54

Steuerbox Klasse II

Die Stromversorgung muss an das Gerät über eine Leitung zugeführt werden, die::

- Geschützt gegen Überströme über automatischen Schalter (Leitungsschalter) oder Schmelzeinsatz, entsprechend dimensioniert; sollte der Strom der Schutzmaßnahmen so niedrig wie möglich sein, unter Berücksichtigung der maximalen Entnahme des Geräts;
- Ausgetattet ist einer Vorrichtung, die empfindlich auf Isolationsfehler (Differential) mit einem Auslösestrom ausreichend niedrig. Dieses Gerät muss hinter der Schutzvorrichtung gegen Überströme gelegt werden;
- Mit geeigneten Kabelschnitt für die entnommene Leistung von dem Gerät.



Um die Gefahr eines elektrischen Schlages zu vermeiden, Dieses Gerät **darf nur an ein Netzteil mit Schutzerde angeschlossen werden (Erdung).**

2.7. Verbindungen

ANLASSEN: Stecken Sie den Stecker in eine geeignete Steckdose. Wenn gibt es Inkompatibilität zwischen der Steckdose und dem Stecker des Stuhles, die Steckdose mit einer geeigneten Art von einem qualifizierten Fachmann ersetzen.

AUSSCHALTEN: Ziehen Sie den Stecker aus der Steckdose.



ACHTUNG! Ziehen Sie heraus, **INDEM SIE DEN STECKER GREIFEN, NICHT DAS KABEL**



ACHTUNG! Es wird dringend empfohlen, den Stecker in eine Einzelsteckdose ausschließlich dem Gerät zugewiesen. Wir empfehlen nicht die Verwendung von Mehrfachsteckdosen (Mehrfachstecker), Abgleichmittel und Verlängerungskabel. Das Kabel darf nicht gebogen werden.



ACHTUNG! Bevor Sie den Netzkabel anschliessen, versichern Sie sich, dass es nicht gebogen oder aufgewickelt ist, und dass die Schutzhülle unbeschädigt ist.





ACHTUNG! Der Stuhl soll so gestellt sein, dass um jederzeit die Trennung mit den Strom versorgung leicht ist.



ACHTUNG! Um das Gefahr von Stromschock zu vermeiden, soll den Stuhl nur an einer Stromnetz mit einer sicherer Erdung angeschlossen sein.

3. UMWELTARBEITSBEDINGUNGEN UND EINLAGERUNG

Der Stuhl wurde entwickelt und gebaut, um in einem geschlossenen und trockenen Raum zu arbeiten. Die Umweltarbeitsbedingungen sind:

- Temperatur: 5° ÷ 40° C 
- Luftfeuchtigkeit: 30% ÷ 75% ohne Kondenswasser 

Wenn die Umgebungsbedingungen besonders kritisch sind, ist es ratsam, den Raum eine angemessene Klimaanlage geben, um die Feuchtigkeit und Temperatur innerhalb akzeptabler Grenzen wiederzubringen.



ACHTUNG! Stellen Sie nicht den Stuhl zu einer übermäßigen feuchten Umgebung aus. Wenn den Stuhl nass wird, ziehen sie den Stecker aus der Steckdose und lassen Sie sie von einem autorisierten Service-Center überprüfen.



ARBEITSBEDINGUNGEN: ACHTUNG! Der Stuhl wurde nicht für den Einsatz in Umgebungen mit explosiven Atmosphären, in Gegenwart von dünnen Pulvern oder korrosiven Gasen, Säuren, korrosiven Stoffen oder Salz konzipiert. Es ist auch nicht empfehlenswert, den Stuhl in Anwesenheit ionisierender und nicht ionisierender Strahlungen (Röntgen, Laser, Mikrowellen, Ultraviolettstrahlung) zu benutzen.



- Nicht für den Einsatz in sauerstoffreichen Umgebungen vorgesehen
- Nicht zur Verwendung mit brennbaren Anästhetika oder in Verbindung mit brennbaren Mitteln vorgesehen.



EINLAGERUNG! Für den korrekten Betrieb der elektrischen Ausrüstung muss die Einlagerung der Liege bei einer Temperatur zwischen -25° und +55° und nur für kurze Zeit von höchstens 24 Stunden, bis +70° stattfinden

4. VORKONTROLLEN



Vor der Inbetriebnahme des Stuhles stellen Sie sicher, dass:

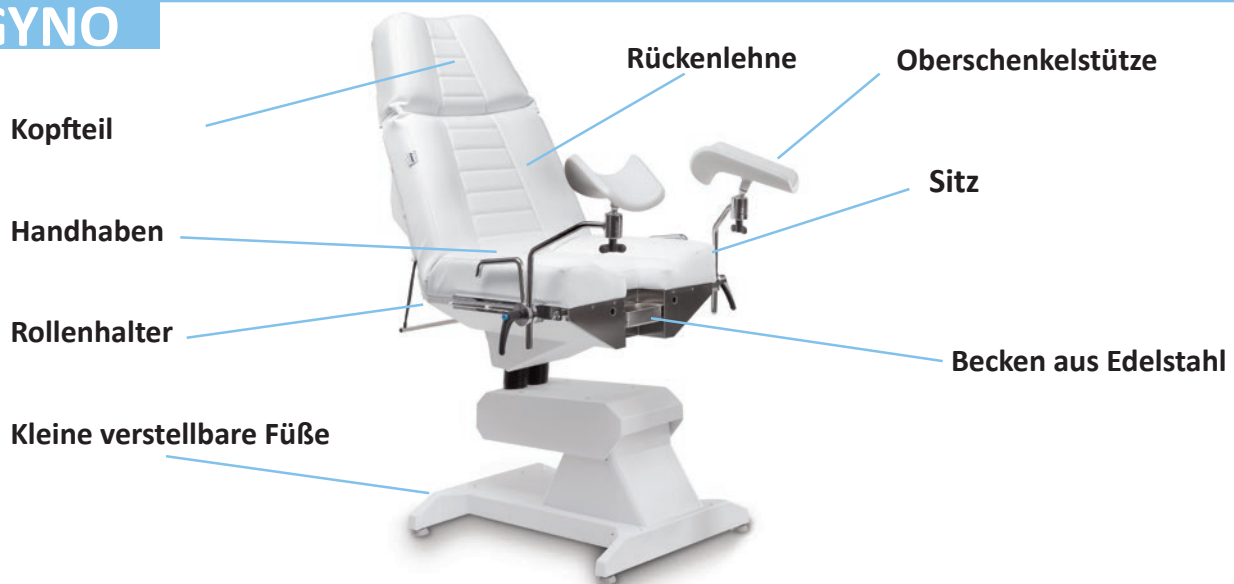
- Es gibt keine Schäden an den Ausrüstung wegen Transport und Handling, schreiten Sie eventuell vorwärts, um diese Probleme zu begegnen, setzend Sie sich in Verbindung mit Brusaferrì & C.;
- Alle Verpackungsbestandteile wurden entfernt;
- Prüfen Sie , dass die Versorgungsspannung gleich der in § 2.7. Stromversorgung gezeigten Nennspannung ist.;



- Überprüfen Sie die Effizienz des Betriebs der Steuervorrichtungen.
- Vor der Inbetriebnahme des Stuhles, führen Sie ein paar Leerlaufversuchzyklen aus, in Sicherheitsbedingungen, durch qualifizierten Personal.

5. BESCHREIBUNG DES STUHLES

GYNO



HYDROGYNO



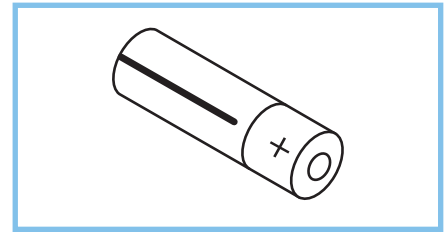
GYNO PLUS



6. ZUBEHÖRE NACH ANFRAGE

6.1. Wireless- Pedal (ohne Kabel) (nur für GYNO und GYNO PLUS)

Wenn den Stuhl mit einem Wireless- Pedal ausgestattet ist, folgen Sie den gezeigten Anweisungen in § 7.3. Steuerungen für die Installation und en richtigen Gebrauch. Das Wireless- Pedal funktioniert mit zwei AAA-Batterien: drehen Sie die zwei Schrauben auf dem Plättchen aus, das oben auf dem Pedal ist, um die Batterien zu ersetzen.



6.2. Räder

Sie können die gebremsten Räder am Stuhl anbringen, indem Sie die 4 (Gyno und Hydrogyno) oder 5 (Gyno Plus) festen Füße abschrauben.



WARNUNG! BLOCKIEREN SIE IMMER die Bremse jeder Rolle, bevor der Kunde auf dem Stuhl sitzt.

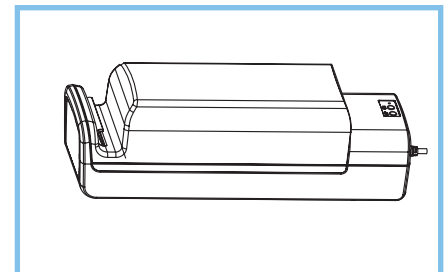


6.3. Batterie

Der Akku (5,0 Ah Kapazität) hat eine Doppelfunktion:

HILFSBATTERIE: Die Batterie fungiert als Hilfsbatterie bei einem Stromausfall

NUR MIT BATTERIE: Die Batterie funktioniert, ohne den Stuhl an das Stromkabel anzuschließen.



ACHTUNG! Die Batterie muss über einen technischen Eingriff beim Anheben des Sitzes und beim Anschluss an das bereits installierte Gerät mit dem Sitz verbunden werden.

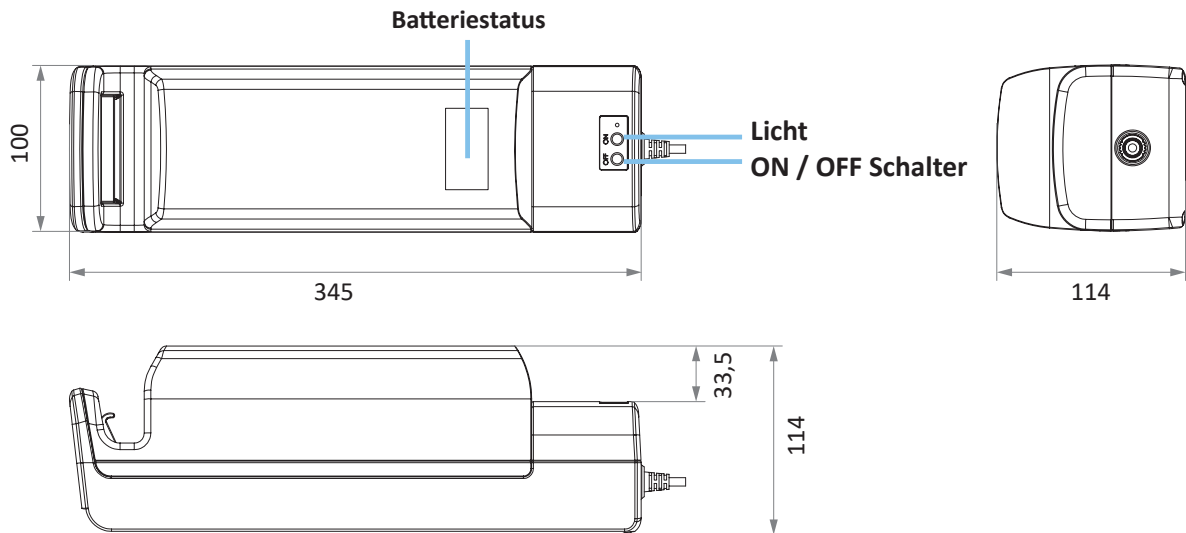


ACHTUNG! Vor der Nutzung, laden Sie bitte die Batterie fuer 24 Stunden lang kontinuierlich, und pruefen Sie den Ladevorgang mit den Gruens Licht.



BEACHTUNG! Die Batterie:

- muss der Nenn-Eingangsspannung folgen
- darf nicht in Wasser eingeweicht oder Wärmequellen ausgesetzt werden
- muss mit zertifizierten Ablagerungen recycelt werden
- muss in autorisierten Wartungszentren repariert werden
- muss ein zertifiziertes Ladegerät von Originalherstellern haben



6.4. Funktion

TASTE	OPERATION	AKTION
ON	1 Sek. drücken.	Eingeschaltet und entladen
OFF	3 Sek. drücken.	Ausschalten und nicht mehr entladen

6.5. Technische Spezifikationen

MODELL - BLEIBATTERIE	
Batteriekapazität	5.0Ah
Absorption der batterieladung	1A - 110W (power:110V) / 220W (power: 220V)
Input	29~45V DC
Output	24V DC, 5.0A
Tastverhältnis	2 Minuten ON / 18 Minuten OFF
Betriebstemperatur	5~45°C
IP rating	Up to IP54
Maße	345x100x114 mm
Nettogewicht / Stk	4.4 kg
ON & OFF	Mit

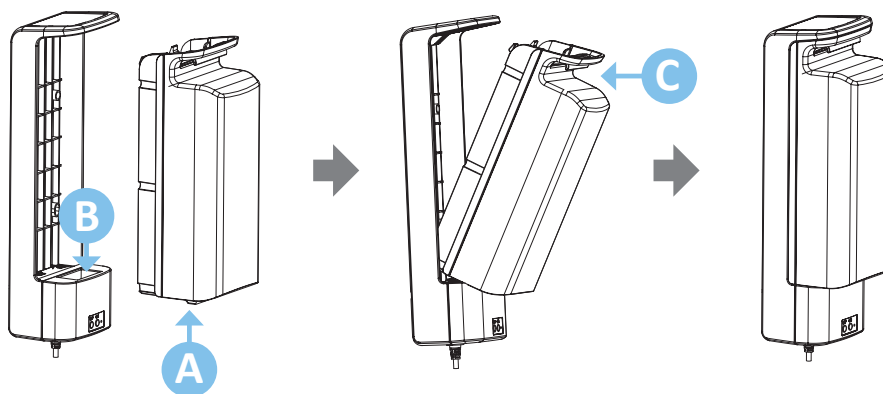
6.6. Batteriestatus

STATUS	LADEKAPAZITÄT	LED
Volle Aufladung	100% - 25%	Grün – Kontinuierlich an
Niedrige Aufladung	25% - 20%	Orange - Blinzeln
Schutz	<20%	Off
Fehler	-	Orange – Dauerlicht

6.7. Installation und Austausch der Batterie

— **INSTALLATION:** Setzen Sie das Teil (A) in das Loch (B) ein und drücken Sie, bis die Batterie blockiert ist. Drücken Sie dann die EIN-TASTE (siehe 6.2), um sie zu aktivieren.

— **AUSTAUSCH:** Um die Batterie zu entfernen, drücken Sie den Hebel (C) und ziehen Sie ihn wie gezeigt nach außen.



6.8. Instandhaltung

Die Batterie muss mindestens 24 Stunden lang ununterbrochen aufgeladen werden, wenn:

- Es wird zum ersten Mal verwendet
- Es wird nach 6 Monaten Stopp verwendet



WARNUNG! DAS BATTERIELADEGERÄT (100/240 V) DARF AUF KEINEN FALL MIT WASSER IN BERÜHRUNG KOMMEN. Wir empfehlen daher, es so weit wie möglich vom Wasser entfernt zu platzieren.

6.9. Zubehör

Accessoires	Position der Führungen	Morsetti per fissaggio
Fersenunterstützung	Auf der Sitzt	Starre
Füße unterstützen (Gyno Plus)	Auf der Sitzt	Starre
Medikalische Armlehnen	Auf der Rücken	Drehbare
Automatische Armlehnen (Gyno Plus)	Auf der Rücken	-----
Vohanghalter	Auf der Rücken	Drehbare
I.V. Stange	Auf der Rücken	Drehbare
Inox Metallschale	Auf der Sitzt	Starre
Colposcope	-----	-----

Sie müssen das Zubehör in die Schlitze der Klemmen einsetzen um es an die Schienen zu befestigen, indem Sie den Griff an- und abschrauben. Bei den Oberschenkel-/Fersen-/Fußstützen und der Metallschale können die Griffe, sobald sie richtig installiert sind, gedreht werden, ohne die Klemmen zu lösen; Ziehen Sie einfach an den Griffen und platzieren Sie sie so, dass sie bei der Verwendung des Stuhls nicht stören

6.10. Drehung (nur für GYNO und GYNO PLUS)

Der obere Teil des Stuhls kann 180° rotieren (90° Links und 90° Rechts). Um dem Stuhl zu rotieren, drehen Sie den Griff unter der Sitz, fixieren Sie den Stuhl in der gewünschten Position und blockieren Sie die Drehung, indem Sie den Griff im Uhrzeigersinn drehen



6.11. Abnehmbare Beinstütze

Setzen Sie das abnehmbare Beinstützkissen in die speziellen Stützen unter dem Sitz ein.



7. BEDIENUNGSANLEITUNG

7.1. Operator

Die Stühle Gyno und Gyno Plus werden von einem Anwender über die Fußpedalsteuerung (oder die Handsteuerung) gesteuert. während Hydrogyno vom Anwender manuell gesteuert wird; der Anwender muss sich positionieren, um eine vollständige Ansicht der gesteuerten Elemente und des Kunden zu haben.



WARNUNG! Während des Betriebs des Stuhles, muss der Anwender immer in der Nähe der Steuerungselemente bleiben; es ist verboten, den Stuhl während des Betriebs unbeaufsichtigt lassen.



Der Anwender soll darauf achten, dass keine potenzielle gefährliche Situationen für seine eigene, (oder anderen) Sicherheit entstehen.



Alle die Personen, die auf dem Stuhl arbeiten, müssen richtig auf die richtigen Arbeitsmethoden geschult sein und müssen über ihr korrektes Funktionieren informiert werden. Außerdem müssen Sie über die bedeutende Teile dieser Dokumentation bewusst sein.



Anwender dürfen keine Kleidungsstücke mit Vorhängen tragen, die sich beim Bewegen in eines Teils des Stuhls verfangen könnten. Die richtige Kleidung besteht aus eng anliegenden Kleidungsstücken, besonders an den oberen Gliedmaßen. Sowohl die Anwenderin als auch der Kunden können keine Ringe, Ketten, Armbänder, Uhren oder andere Sachen tragen, die die Matratze beschädigen können.



Bei Allergien den Tisch mit einem Laken abdecken. Der Anwender muss sich so positionieren, um immer alle eingestellten Teile und auch den Patienten zu kontrollieren.

7.2. Verwendung der Matratze



WICHTIG! Es ist obligatorisch, die Matratze mit Einweg-Papierbezügen oder waschbaren Schwammbezügen (besser Schwamm + PVC) für die korrekte und hygienische Aufbewahrung zu schützen. Die Polsterung könnte durch die normale Hautwärme oder durch längere Verwendung von ätherischen Ölen oder kosmetischen Mitteln beschädigt werden. Ein Ersatz für Schäden aufgrund von Missbrauch wird nicht unter die Gewährleistung fallen.

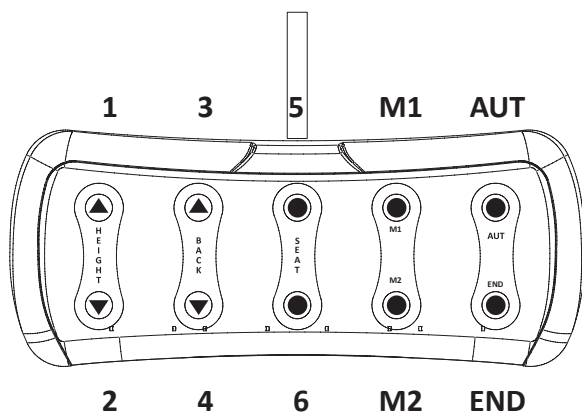
7.3. Anwender (nur für GYNO und GYNO PLUS)

Die Stühle können über ein Pedal mit Kabel, ein Funkpedal oder eine Handsteuerung gesteuert werden. Alle Bedienelemente funktionieren nur bei Aktivierung: Die Stuhlbewegung stoppt, sobald der Anwender die Taste / das Pedal loslässt, mit Ausnahme der AUT (Automatische Rückkehr in die Ausgangsposition), die durch Drücken einer beliebigen Taste / eines beliebigen Pedals gestoppt werden kann.



Anwender darf nur Bedienungen (Fuß- oder Handbedienung) benutzen, um dem Stuhl zu Bewegen

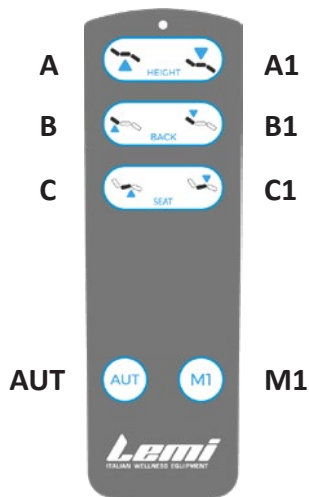
PEDAL MIT KABEL/WIRELESS (GYNO - GYNO PLUS)



- Pedal 1:** Stuhl UP
- Pedal 2:** Stuhl DOWN
- Pedal 3:** Rücken UP
- Pedal 4:** Rücken DOWN
- Pedal 5:** Trendelenburg Up
- Pedal 6:** Trendelenburg DOWN
- Pedal M1:** Memory position 1
- Pedal M2:** Memory position 2
- Pedal AUT:** automatische Rückkehr von jeder Position zur Position "Ende der Behandlung"
- Pedal END:** automatische Rückkehr aus jeder Position in die Nullposition (flache und minimale Höhe)

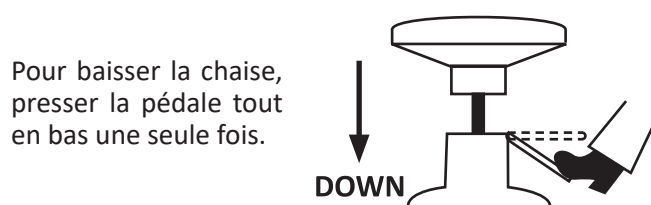
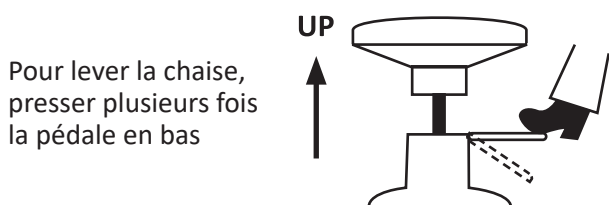
Sobald die Behandlung beendet ist, vor dem Aufstieg des Kunden, bringen Sie den Stuhl durch das Pedal/Knopf AUT zur Stuhlposition zurück.

HANDBEDIENUNG (GYNO - GYNO PLUS)

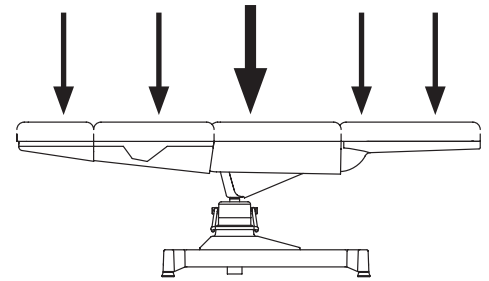


- Taste A:** Stuhl Up
- Taste A1:** Stuhl Down
- Taste B:** Rücken Up
- Taste B1:** Rücken Down
- Taste C:** Trendelenburg Up
- Taste C1:** Trendelenburg Down
- Taste AUT:** automatische Rückkehr von jeder Position zur Position "Ende der Behandlung"
- Taste M1:** Memory position 1

7.4. Hauteur et Descente (seulement HYDROGYNO)



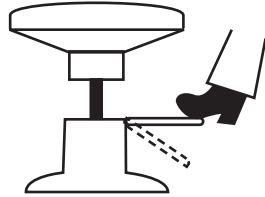
Um ein regelmäßiges Absenken des Stuhls zu gewährleisten, muss das Gewicht des Patienten wie in der Abbildung unten gezeigt ausgeglichen werden.



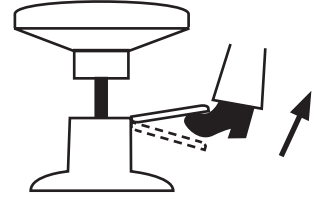
7.5. Rotation de la chaise (seulement pour HYDROGYNO)

La partie supérieure de la chaise peut tourner 360°

Lever la pédale pour bloquer la rotation et fixer la position.



Pour tourner la chaise, presser en bas la pédale une seule fois : la rotation se débloque.



ATTENTION! Avant de se placer sur la chaise, toujours vérifier que la manette basculant soit bien fermée pour éviter risque de chute.

7.6. Kopfverstellung (nur für GYNO und HYDROGYNO)

Um die Neigung des Kopfes einzustellen, drücken Sie den Knopf an der Rückenlehne (push).



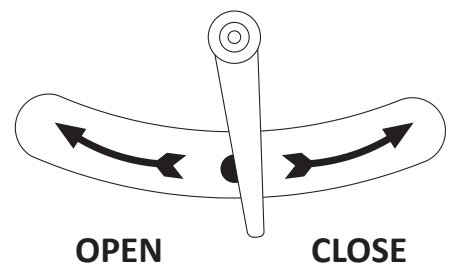
7.7. Einstellung der Oberschenkelstütze

- Zum Anheben / Absenken: Den Klemmgriff drehen
- Zum Einstellen der Neigung: Öffnen / schließen Sie die Drosselklappe unter der Oberschenkelstütze



7.8. Trendelenburg adjustment (HYDROGYNO only)

Turn the handle anti-clockwise (OPEN), adjust the position and fix it by turning clockwise (CLOSE).



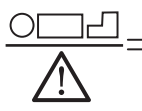
ATTENTION! Before the client sits on the chair, always check the Trendelenburg handle is closed so to avoid any risk of fall.

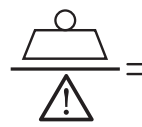
7.9. Rückeneinstellung (nur für HYDROGYNO)

Halten Sie das Rückenpolster fest und bringe Sie es mit dem Rückenverstellhebel in die gewünschte Position.



8. STUHLESBENUTZUNG

 = 200 kg (max. Gewicht des Kunden)
150 kg (max. Gewicht des Kunden für Hydrogyno)

 = 2500 N (zulässige Belastung)
2000 N (zulässige Belastung für Hydrogyno)



ACHTUNG! Auf dem Stuhl kann eine einzige Person steigen; die Person muss steigen/absteigen wenn den Stuhl in der Grundposition ist, und dem teil "Sitz" benutzen.



ACHTUNG! Legen Sie sich auf dem Stuhl immer setzend sich korrekt in dem zentralen Teil des Sitzes. Setzen Sie sich nicht oder lehnen Sie sich an der Seite der Füße oder des Kopfes.



WARNUNG! Die Gliedmaßen des Patienten müssen immer auf dem Stuhl sein. Der Anwender muss immer den Patienten benachrichtigen, wenn er den Stuhl in Betrieb sitzt.



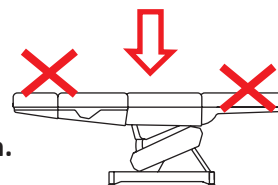
ACHTUNG! Achten Sie darauf, um sicherzustellen, dass den Stuhl oder ihre elektrischen Teile nicht nass werden und dass sich keine Flüssigkeiten auf dem Stuhl selbst stauen; trocknen Sie sofort eventuelle Flüssigkeiten – einschließlich physiologischen Flüssigkeiten des Patienten – die sich auf der Liege befinden könnten.



WARNUNG! Wenn ein Patient für kurze Zeit allein gelassen wird, ist es notwendig, die Liege in die niedrigste Position in Bezug auf den Laufboden zu stellen, um das Risiko von Schäden im Falle eines Sturzes zu reduzieren



Um das Risiko eines elektrischen Schlags zu vermeiden, stecken Sie nicht oder ziehen Sie den Stecker mit nassen Händen. Verwenden Sie nicht den Stuhl barfuß.



9. WARTUNG

Die Liege wurde so konzipiert und konstruiert, um die notwendigen Wartungen zu reduzieren und ordnungsgemäßen Betrieb in den Jahren ohne irgendwelche Probleme sicherzustellen. Während jeder Arbeit auf der Liege, ist es empfohlen, die gezeigten Anweisungen in diesem Abschnitt zu folgen.



WARNUNG! Alle Arbeiten auf dem Stuhl müssen von qualifizierten Personal ausgeführt werden, und über die Methoden geschult, um richtig und sicher zu betreiben. Keine Aktion auf dem Stuhl in Bewegung durchzuführen, und immer überprüfen, dass der Verbindungsstecker zur Stromversorgung abgeschaltet wird; bringen Sie den Versorgungsstecker neben ihm während der Durchführung der Arbeiten auf dem Stuhl, so dass Sie jederzeit das tatsächliche Funktionieren überprüfen zu können.

9.1. Allgemeine Prüfungen

Überprüfen Sie den allgemeinen Zustand des Stuhles: die Integrität der Schutz, der elektrischen Ausrüstungen und der Zustände der Polsterung.



WARNUNG! Ändern Sie diesen Stuhl nicht ohne Genehmigung des Herstellers. Falls dieser Stuhl geändert wird, müssen (u con 2 puntini) geeignete Inspektionen und Tests durchgeführt werden, um sicherzustellen, dass die sichere Verwendung



ACHTUNG! Modifizieren Sie diesen Stuhl nicht ohne die Genehmigung des Herstellers. Wenn dieser Stuhl modifiziert wird, müssen geeignete Inspektionen und Tests durchgeführt werden, um seine weitere sichere Verwendung sicherzustellen

9.2. Ungewöhnliche Wartung

Jede ungewöhnliche Wartung muss von Personal des technische Dienst von Brusaferrri & C. oder vom Hersteller autorisierten Service-Center durchgeführt werden. Informationen über die autorisierten Service-Center, zu denen Sie wenden können, können Sie direkt vom Hersteller Brusaferrri & C srl – Tel 0374/363068-69 – mail: service@lemigroup.it erhalten.

Für eine korrekte und schnelle Lösung des Problems, ist es notwendig, das Modell und die Seriennummer des Stuhles und die Beschreibung des festgestellten Defektes mitzuteilen, das heißt, was sind die sichtbaren Problemen und unter welchen Bedingungen eintreten.

Der defekte Stuhl, wenn im Rahmen der Garantie, muss zum Service-Center zusammen mit dem Garantieschein gelangen werden, Frachtkosten zu Lasten des Käufers.



WARNUNG! Jede Garantieform verwirkt, wenn Arbeiten auf der Liege ausgeführt werden, von jemanden nicht von Brusaferrri & C. autorisiert.

9.3. Autorisiertes Personal

Reparaturen und Wartungsarbeiten am Stuhl dürfen ausschließlich von kompetentem Personal durchgeführt werden, das von Brusaferrri & C. oder von ihm autorisiert ist. Informationen zu den Mitarbeitern für mögliche Interventionen erhalten Sie direkt bei Brusaferrri & C.

9.4. Reinigung

Jedes Mal, wenn Sie eine Behandlung machen, verkleiden Sie immer die Matratze mit Handtüchern oder Einwegtüchern, bevor Sie den Kunden sich hinzulegen lassen. (Siehe §7.2. Verwendung der Matratze).



Machen Sie sich auf die Jeans Aufmerksam, die die Verkleidung beflecken kann, ohne jede Möglichkeit den Fleck zu entfernen.



Reinigen Sie die Liege vor jeder Benutzung, wobei besonders Vorsichtig auf alle Spuren von eventuellen physiologischen Flüssigkeiten der vorherigen Patienten

Für die Reinigung der Liege benutzen Sie einen Lappen und halbwarmes Wasser (eventuell mit verdünntem neutralen Reinigungsmittel). Falls erforderlich, verwenden Sie ein nicht-aggressive Desinfektionsmittel, dann sofort mit einem sauberen, trocknen Tuch abwischen.



Verwenden Sie keine Produkte wie: Alkohol, Aceton, Bleichlauge, Verdünnungsmittel, Benzin.



WARNUNG!

- **Achten Sie darauf, keine Flüssigkeiten auf die elektrischen Geräte, die Pedal- / Druckknopfleiste und auf die Schutzvorrichtungen des Maschines zu sprühen.**
- **Sie müssen die Anweisungen in den Sicherheitsdatenblättern der verwendeten Reinigungsmittel befolgen**
- **Falls Während des Reinigungsvorgangs des Maschines Pulver produziert wird, verwenden Sie eine geeignete Schutzvorrichtung (Mund Nase bedeckung) und belüften Sie den Raum angemessen**
- **Verwenden Sie geeignete individuelle Schutzvorrichtungen**

10. IM FALLE EINES UNFALLS

Jeder schwere Unfall im Zusammenhang mit diesem Gerät muss unverzüglich dem Hersteller und der zuständigen Behörde des Mitgliedstaats gemeldet werden, in dem der Benutzer und/oder der Patient ansässig ist.



WARNUNG! Entfernen Sie auf keinen Fall den Schutz; Verwenden Sie den Stuhl nicht, wenn die Schutzvorrichtungen beschädigt oder nicht richtig befestigt sind.



WARNUNG! Heranrücken Sie nicht die Gliedmaßen auf den Elementen in Bewegung.

11. ERSATZTEILE

Alle Ersatzteile müssen von Brusaferrri & C. verlangt werden, die sie direkt liefern wird, oder wird Ihnen Anweisungen geben, über dem Ort, wo sie gefunden werden können. Bitte beachten Sie, dass jede ungewöhnliche Wartung muss von Personal von Brusaferrri & C. ausgeführt sein, oder von sie berechtigt.



ACHTUNG! Jede Garantieförm verwirkt, wenn man verschiedene Ersatzteile von den ursprünglichen installiert werden.

12. AUSSERBETRIEBNAHME



Wenn die Liege funktionsunfähig wird oder nicht für eine verlängerte Zeit verwendet wird, ist es empfohlen, es von Dienst zu entfernen und den Stecker aus der Steckdose zu ziehen. Die Liege ist mit Komponenten aus Stahl, Holz und Kunststoffe gebaut: soviel des Materials wirksam wiederverwertbare ist. Alle Materialien, mit denen die Liege gebaut ist, sind nicht giftig oder gefährlich für die Gesundheit der Bediener, so dass sie ohne besondere Vorsichtsmaßnahmen gehandhabt werden können. Im Fall von Außerbetriebnahme der Liege ist es angebracht, eine Trennung der verschiedenen Materialien für die anschließende Wiederverwendung oder Entsorgung durchzuführen. Alle elektrischen und elektronischen Produkte sollten separat entsorgt werden durch bestimmte Sammelanlage designiert von der Reinigung oder von den Lokalbehörden.

13. ENTSORGUNG VON ALTGERÄTE



Die korrekte Entsorgung der alter Geräten verhindert mögliche schädliche Auswirkungen auf die menschliche Gesundheit und die Umwelt. Weitere Informationen erhalten Sie von Ihrem Rathaus oder Müllbeseitigungsdienst.



- Die Demontage des Stuhls am Ende seiner Lebensdauer muss von qualifiziertem Personal vorgenommen werden, das für die korrekte Handhabung geschult ist - und gegebenenfalls den Stuhl demontiert.
- Verwenden Sie nur geeignete Geräte und heben Sie die Geräte gemäß den nationalen Bestimmungen und Gesetzliches Gesetz in Kraft.
- Wenn Sie den Stuhl abmontieren oder an einen anderen Ort bringen möchten, wenden Sie sich bitte an den Hersteller Brusaferrri & C - Italien.

WICHTIGER HINWEIS

WIE MAN DIE ABS-KUNSTSTOFF-ABDECKUNG REINIGT



Es ist verboten die folgenden Produkte zu benutzen, die den Kunststoffleder beschädigen können:

- Entfettungsmittel auf Lösungsmittelbasis: ACETON, DENATURIERTER ETHYLAKOHOL, TRICHLORETHYLEN, KRAFTSTOFF, TERPENTIN...
- Verdünnte Säuren (HYDROCHLORIDSÄURE, SALPETER SÄURE) oder Produkte mit verdünnten Säuren
- Verdünnte Basen (ÄTZNARON, NATRIUMHYPOCHLORIT, AMMONIAK, BLEICHE) oder Produkte mit schwacher Base
- Fluorierte Kohlenwasserstoffe (z.B LECKS AUS KÜHLGAS)
- Lebensmittelöle (z.B. OLIVENÖL, SAMENÖL)
- Ölen auf Mineralbasis



Für die Reinigung des Kunstleder empfehlen wir:

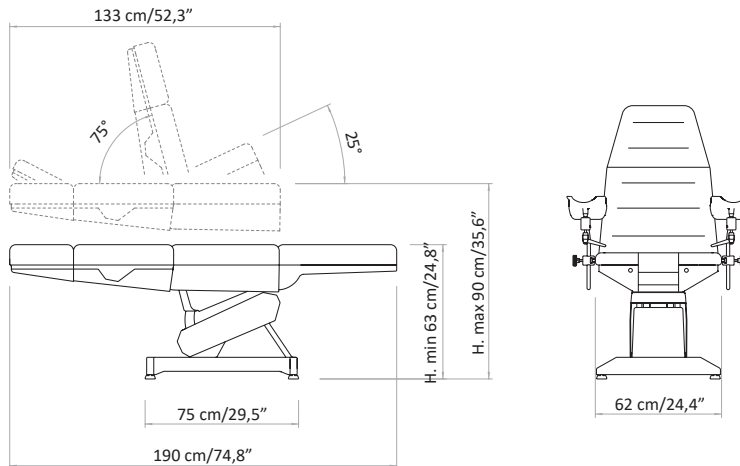
- Seifenwasser
- Wasser und Essig
- Cremiges Flüssigwaschmittel

Spü Sie immer mit klarem Wasser und trocknen Sie sie mit einem wichen, nicht scheuernden Tuch ab.

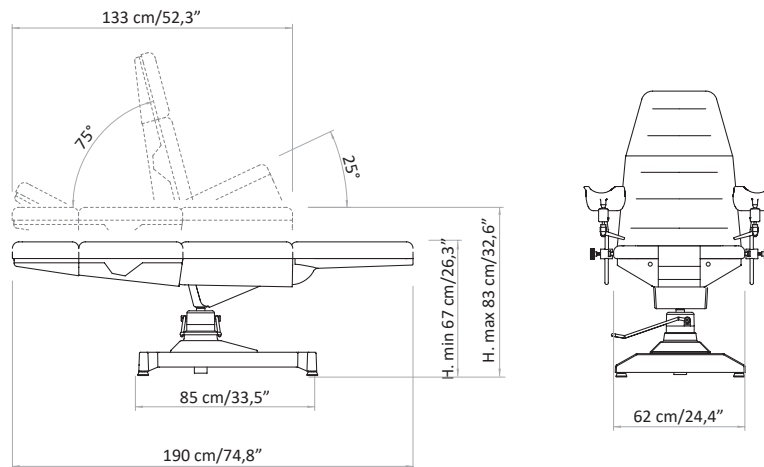
AUSSENMASS

Masse in cm und inches

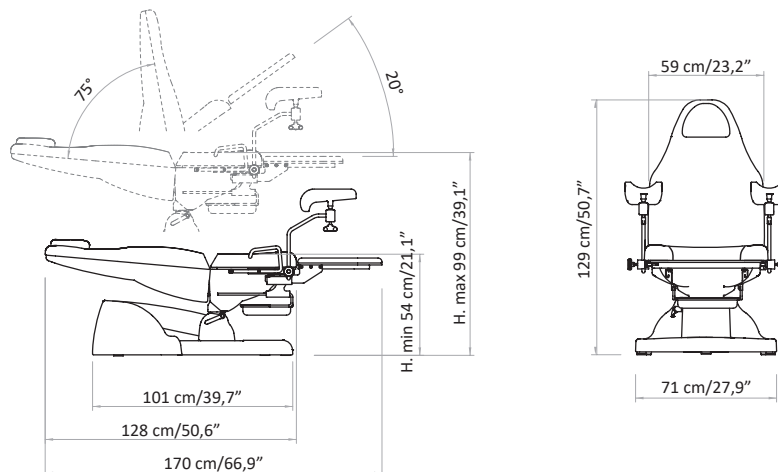
GYNO



HYDROGYNO



GYNO PLUS









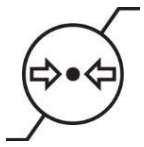




ACHTUNG!

Bitte beachten Sie, dass bei elektrisch höhenverstellbaren Therapieliegen durch versehentlichen Betätigen der Steuerung die Gefahr der "Selbsteinklemmung" besteht. Die Therapieliegen dürfen nur durch eingewiesenes und geschultes Fachpersonal bedient werden. Sobald diese autorisierte Person den Behandlungsraum verlässt, muss sichergestellt sein, dass die Liege stromlos ist und ein versehentliches Betätigen der Steuerung nicht möglich ist oder verhindert wird, dass es zu einer Personengefährdung führen kann.

Dies kann durch verschiedene Maßnahmen durch die autorisierte Person erfüllt werden:

- Die Demontage des Stuhls am Ende seiner Lebensdauer muss von qualifiziertem Personal vorgenommen werden, das für die korrekte Handhabung geschult ist - und gegebenenfalls den Stuhl demontiert.
- Verwenden Sie nur geeignete Geräte und heben Sie die Geräte gemäß den nationalen Bestimmungen und Gesetzliches Gesetz in Kraft.
- Wenn Sie den Stuhl abmontieren oder an einen anderen Ort bringen möchten, wenden Sie sich bitte an den Hersteller Brusaferrri & C - Italien.

14. LABEL LEGENDE

	<p>Manufacturer's indication Indicazione del Fabbricante Fabricant Herstellerangabe</p>
	<p>Batch code Codice del lotto Lot de production Batch-Code</p>
	<p>Reference to the code and product name indicated Riferimento al codice e nome prodotto indicato Code/Nom du produit Hinweis auf den angegebenen Code und Produktnamen</p>
	<p>Year of manufacture expressed in month (mm) and year (yy) Anno di fabbricazione espresso in mese (mm) e anno (aa) Date de fabrication en mois (mm) et année (aa) Herstellungsjahr in Monat (mm) und Jahr (yy)</p>
	<p>Warning symbols indicating that the manual must be read for safety purposes. It must be printed in blue as required by the technical standard.</p> <p>Simbologia di avvertenza che indica che è necessario leggere il manuale ai fini di sicurezza. Deve essere stampato con colore blu come previsto dalla norma tecnica.</p> <p>Il est nécessaire de lire attentivement la notice d'utilisation. Il doit être imprimé en bleu comme l'exige la norme technique.</p> <p>Warnsymbole, die darauf hinweisen, dass das Handbuch aus Sicherheitsgründen gelesen werden muss. Es muss entsprechend der technischen Norm in Blau gedruckt werden.</p>
	<p>Serialization sequential number of the medical device Numero sequenziale di serializzazione del dispositivo medico uméro de Série du dispositif Seriennummer der Medizinprodukte-Seriennummer</p>
	<p>Atmospheric pressure limit for use Limite della pressione atmosferica per l'utilizzo Prèssion atmosphérique d'utilisation Atmosphärischer Druckgrenzwert für den Einsatz</p>
	<p>Temperature limit for use Limite di temperatura per l'utilizzo Température d'utilisation Temperaturgrenze für den Einsatz</p>
	<p>Humidity limit for use Limite di umidità per l'utilizzo Humidité d'utilisation Luftfeuchtigkeitsgrenze für die Verwendung</p>
	<p>CE mark Marcatura CE Conformité CE CE-Markierung</p>
	<p>The symbol indicates that the product must not be disposed of as unsorted waste but must be sent to separate collection facilities for recovery and recycling.</p> <p>Il simbolo indica che il prodotto non deve essere smaltito come rifiuto non selezionato ma deve essere inviato a strutture di raccolta separate per il recupero e il riciclaggio.</p> <p>Le dispositif doit être éliminé dans de Centres Autorisés pour la récupération et le recyclage.</p> <p>Das Symbol weist darauf hin, dass das Produkt nicht als unsortierter Abfall entsorgt werden darf, sondern einer getrennten Sammelstelle zur Verwertung und Wiederverwertung zugeführt werden muss.</p>

This publication or parts thereof may not be reproduced, stored in a storage machine, transmitted, transcribed, or translated into any language, usual or computer, in any form or by any means, electronic, mechanical, magnetic, optical, chemical, manual or otherwise, without the express written permission of the manufacturer, Brusaferrri & C. The manufacturer shall provide warranty with respect to the contents of this publications, with the express prohibition of the use of the same publication for any other purpose whatsoever, commercial, practical, technical-scientific, unrelated to the functioning of the equipment to which it relates for which this issue has been written. The warranty on the accuracy of the information contained herein is provided on condition that they are strictly observed by the user of the device, all the prescriptions contained in this documentation. Moreover Brusaferrri & C. reserved the right to revise this publication and to make changes in the content without obligation to notify any person or organization.

These revised publications are available on request by Brusaferrri & C.

©2023 Brusaferrri & C. – All rights reserved.

Designed and manufactured by:

Lemi[®]
ITALIAN WELLNESS EQUIPMENT

Via Mara Maretti Soldi, 13
26011 Casalbuttano (CREMONA) ITALY
Phone +39-0374-363069 Fax +39-0374-363071
info@lemigroup.it service@lemigroup.it
www.lemigroup.it