

# Instructions Manual

## Roots

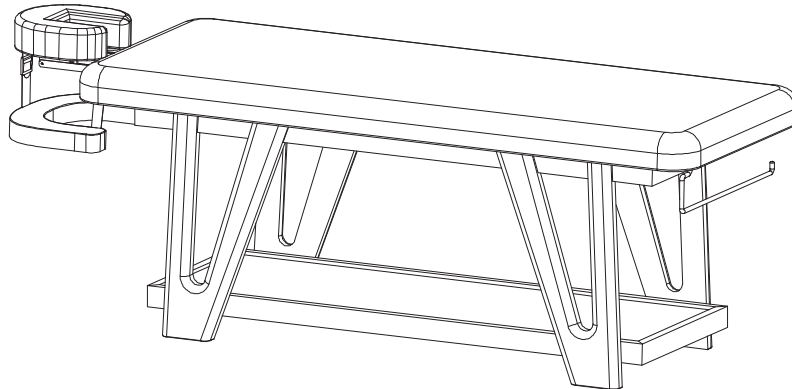
WKS032.Axx

Wooden Bed

VERSION 1.25





# 1. Welcome!

Congratulations on purchasing this new wooden bed.  
This manual is only for reference of using this bed. Our company does not assume all the consequences and responsibilities caused by using this manual for other purposes.



## 2. Package contents

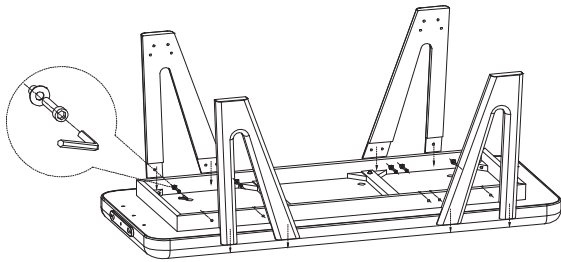
The box contents has all the wooden parts, cushions and roll holder of the bed, as well as the following hardware tools:

-  28pcs - L38 Hexagon Socket Head Screw (M8\*40)
-  2pcs - Hexagon Socket Head Screw (M8\*25)
-  30pcs - Flat Washer ( $\varnothing 8 * \varnothing 24 * 1,5$ )
-  2pcs - Opposing 6-point Wrench (M8)

**WK**<sup>®</sup>

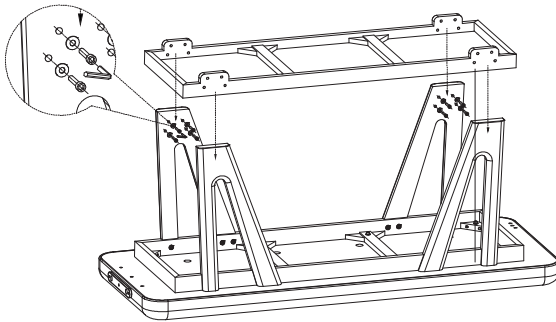
Imported by  
WEELKO BARCELONA SL  
Pol. Ind. La Valldan  
Camí de Garreta, 92  
08600 Berga  
Barcelona - Spain  
T. +34 93 824 90 20  
E. info@weelko.com

# 3. Installation



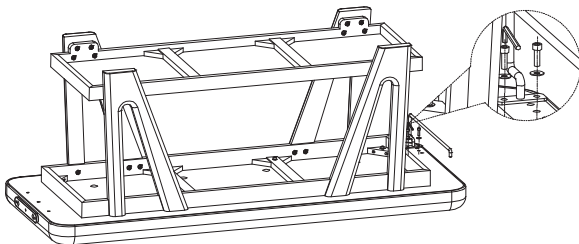
## 1. Install Solid Wood V-Legs

Note: First, insert the screws without tightening them. After completing step 2, tighten all screws together.



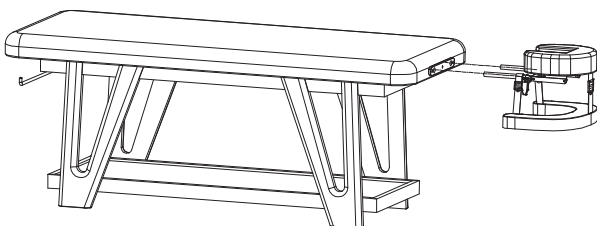
## 2. Install Solid Wood Bottom Frame

Note: Once the screws are fully inserted, tighten them together with the screws from step 1.



## 3. Install Paper Roll Holder

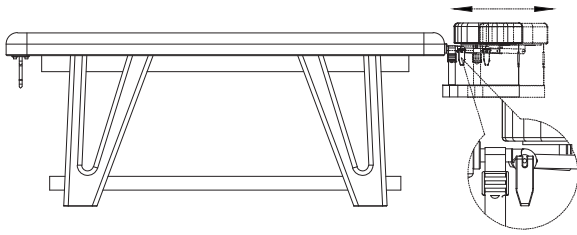
Note: The screws must be fully tightened.



## 4. Install Pillow insert

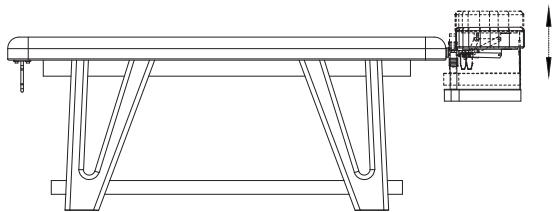
Insert the headrest and then press down the handle to lock it securely

# 4. Operation



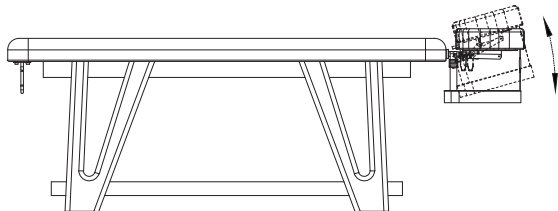
## 1. Headrest Forward/Backward Adjustment

Release the handle, pull the headrest outward to the desired length, then press down to lock it securely.



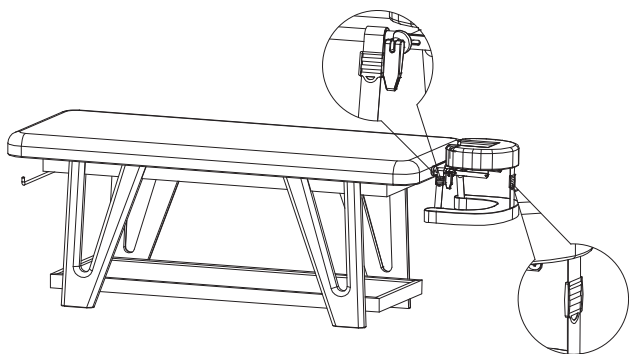
## 2. Headrest Height Adjustment

Release the handle, lift the headrest to the desired height, then press down the handle to lock it in place.



## 3. Headrest Angle Adjustment

Release the handle, rotate the headrest upwards to the desired angle, then press down the handle to lock it securely.



## 4. Armrest Height Adjustment

Adjust the armrest height and then tighten the strap buckle to secure it.