

# Instructions Manual

## Bellum

WKE029.4.A26.HT

Electric Beauty Bed

VERSION 1.25

# 1. Welcome!

Congratulations on the purchase of your new electric table. Your new table has been skillfully crafted to exacting standards, utilizing high quality components and materials. With proper use and care, as outlined in this user's guide, your tables should provide a longtime of reliable performance. To insure the safe and correct use of your table, please take a moment to read this entire guide prior to using your table.

## 2. Precautions

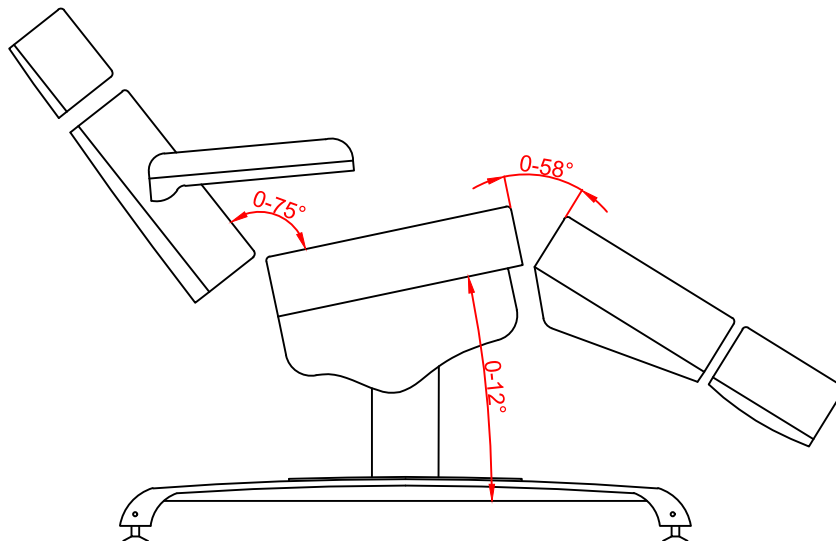
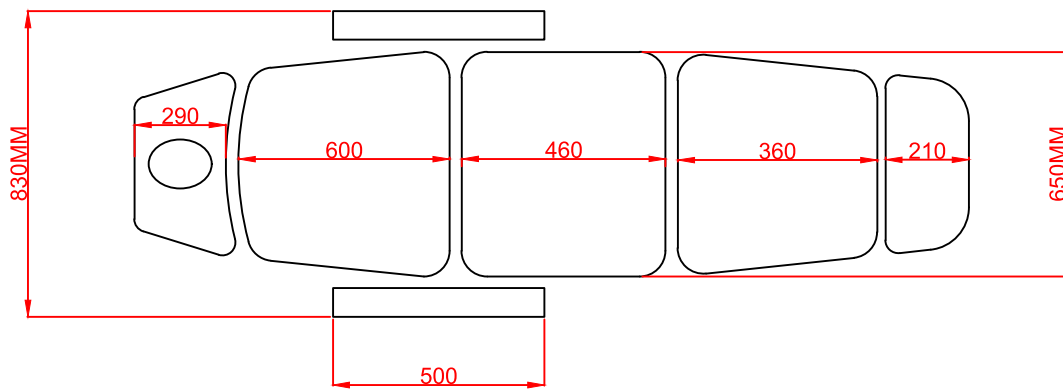
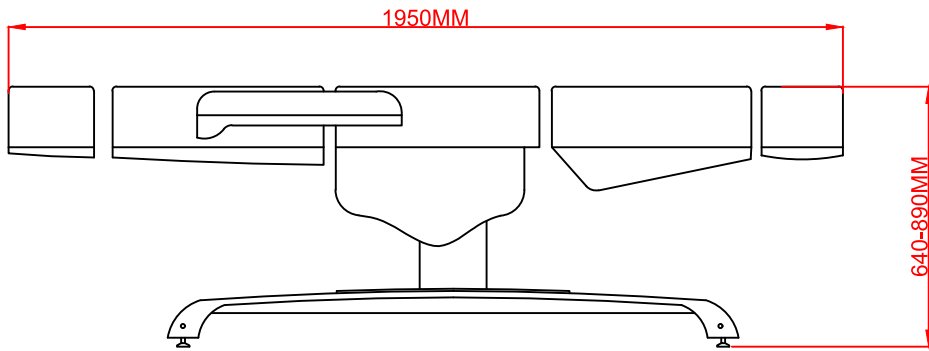
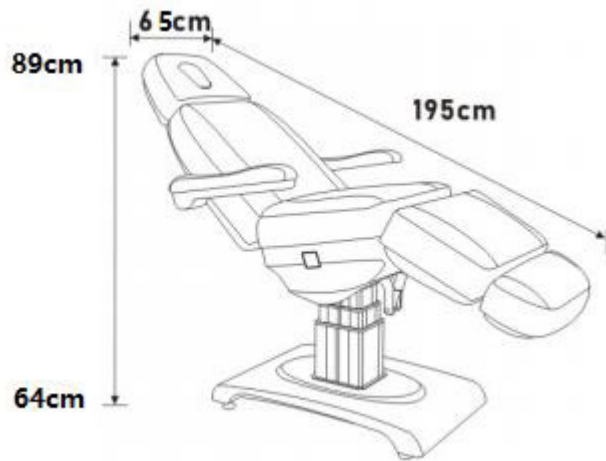
- (1) Maintain the table periodically. Make sure all screws are secure and the cable has not deteriorated or frayed. Make sure there are no cracks in the wood structure.
- (2) Do not overload the table beyond the recommended weight limit. This could result in serious injury to the user.
- (3) Do not use chemical etchant cleaners when cleaning the chromed frame. This could cause damage to the chrome layer. Use cold water and wipe dry.
- (4) Make sure when using the table that the base is on a solid surface and at the same level.

### Table Weight Limits:

Position the client in the center of the table will help distribute the weight evenly and insure stability. Gently sit near (not on) the center of the table at first, then sit as close to the center (from the edge) as possible. The working weight is the combined weight of the client and the maximum amount of downward pressure being applied by the therapist. For example: For a client weighing 120kgs, the maximum working weight for the table 100kgs, the maximum downward pressure that can safely be applied is 220 kgs. As pressure applied at sideward angle puts considerably more stress on a table, the maximum sideward pressure should not exceed 50% of the maximum downward pressure. Recommended weight limit: Max. 200KG

**DO NOT EXCEED REFERRED MAXIMUM WORKING WEIGHT (Never Exceed The Load Limits Of The Table; Doing So May Result In Serious Injury And/Or Damage).**

# 3.Product dimensions

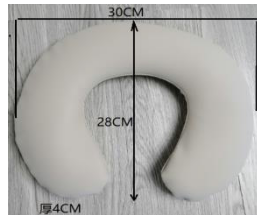


# 4.Operation

## Installation

Open the the box and remove all packing material, major structure have been assembled (except headrest, extended footrest and armrests),take the bed and all parts out from the box , put the two pins from the headrest and extended footrest into the holes on the cushions, and put the armrest pins into the holes on the sides of the body( one on the left side and one on the right side),then plug the cable in, you can enjoy the bed immediately

We provide necessary accessories for you. Please read the instruction carefully before use.



Face cushion



Face plug

Face cushion: The face cushion will give your client comfortable face support when they lying on the bed with face down for back massage. It avoids marks on face effectually.

Face plug: We provide a face plug to close the face hole.

## Height Adjustment:

Proper table height is determined by the therapist height, modality, and technique.

You can adjust the height by long press on the required keys on the remote and release the keys when the height meets your need.

## Angle of inclination :

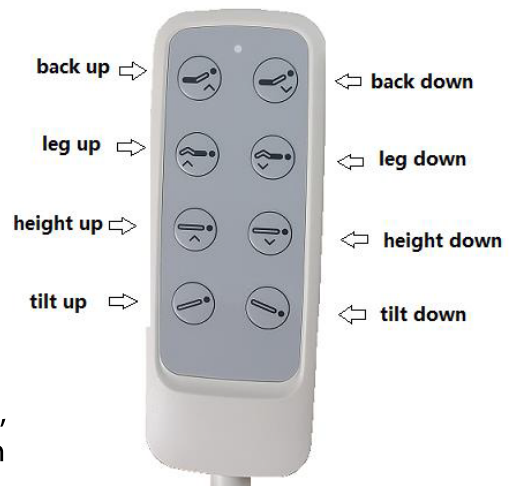
Long Press on the required keys, the table can Lean backward.

Backrest/seat angle/ leg section degree is easily to change the angle, just long press on the required keys on the remote and release when the angle meets you need.

Extended headrest& footrest: These two parts allow us increase the total length of the table.

## Heating system:

The bed comes with a warming system, plug in the power cable, and turn on the control switch on the side of the bed. We can feel the bed is warm in 30 seconds.



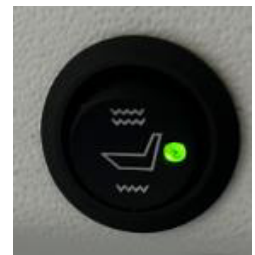
Warming



close



fast level



slow level

# 5.Maintenance

## Storage:

Put every accessory at their original position.

## Upholstery Care

**Daily Cleaning:** Remove daily dirt and grime from the table with a mild soap and warm water solution, and dry with a soft lint-free cloth.

**Disinfecting:** Disinfect the table as required, with an iso propanol based hospital grade disinfectant cleaner (approved for use on polyurethane vinyl).

**Stain Removal:** Some minor stains can be removed with a mild non-abrasive cleaner. Spray a damp cloth with cleaners and gently wipe to remove stain, rinse thoroughly with warm water, and dry with a soft lint free cloth. More stubborn stains may require professional cleaning.

**Note:** Never use harsh or abrasive cleaners or chemicals to clean the table. Doing so may damage the upholstery. Avoid using any protectants, as they may harm the vinyl.

## Iron Care

Your table is made of select metal and is finished with chrome that requires no special care. If desired, you may clean occasionally with a metal care product. Keep the table dry, and avoid exposure to wet or humid environments, Should the table get wet, quickly and thoroughly dry with a soft cloth.



Imported by  
WEELKO BARCELONA SL  
Pol. Ind. La Vall d'an  
Camí de Garreta, 92  
08600 Berga  
Barcelona - Spain  
T. +34 93 824 90 20  
E. info@weelko.com