

Spiky

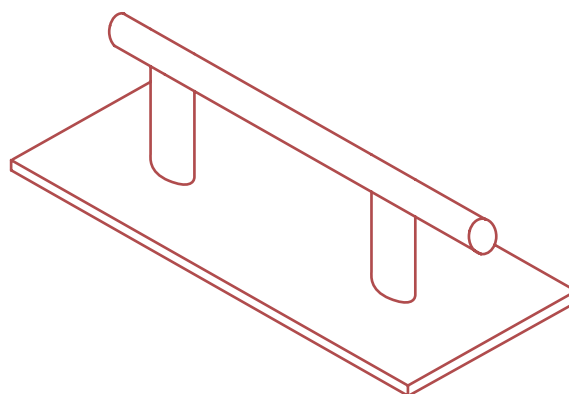
ACCESSORIES

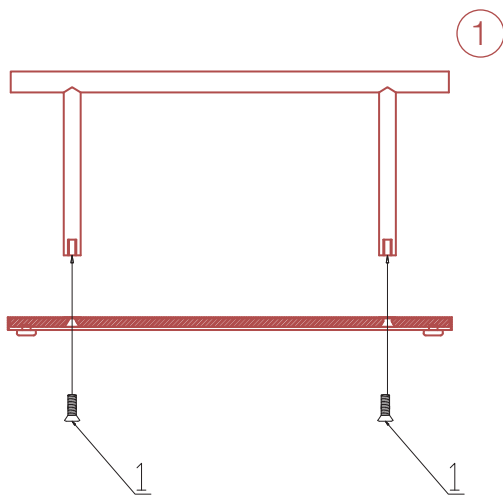
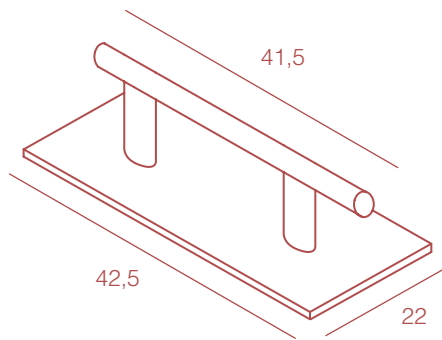
REF. / RZA001



product:
42,5x22x19,5 cm
packing:
44x24x7 cm

6,2
6,5
kg





Clean with mild soap and water.